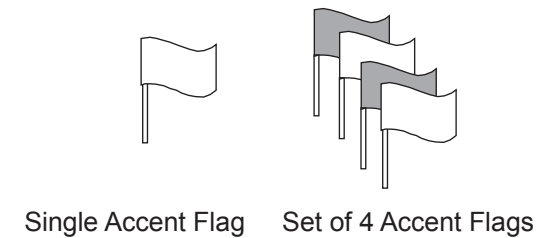
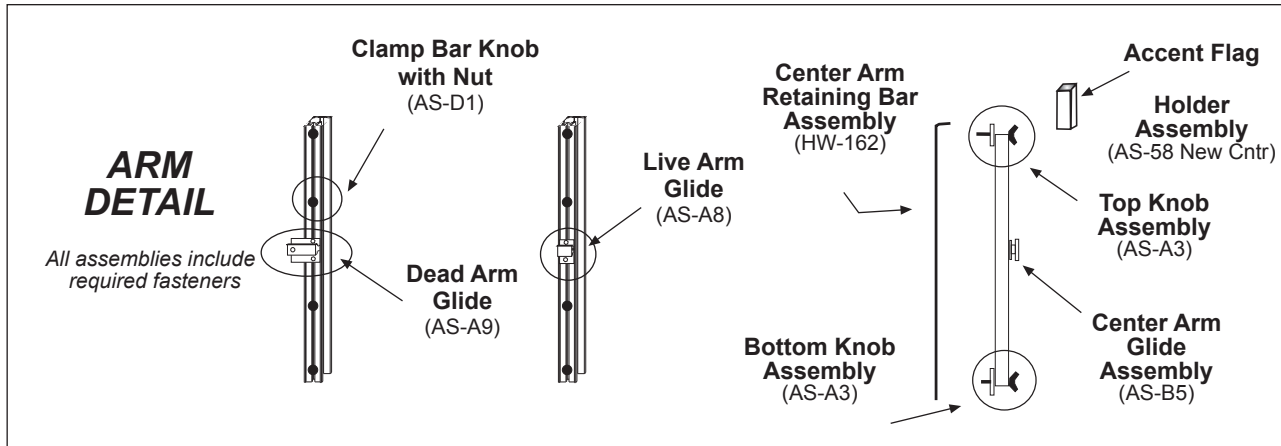
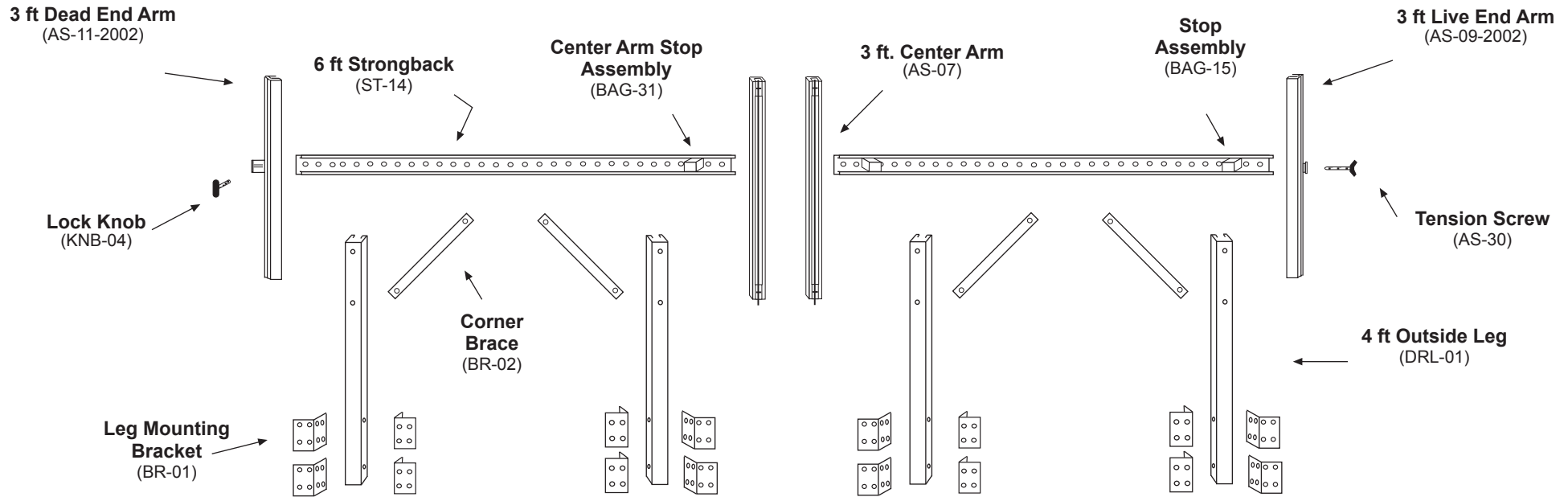


TopLine Banner Frame - 3 x 16 Model Replacement Parts Guide



- Fastener Bags - Nuts Bolts & Screws**
- Screw Bag - mount Legs to wall (Bag-01)
 - Fasteners Bag - bolt Legs to Strongback (Bag-10)
 - Fasteners Bag - bolt Leg Brackets to Leg (Bag-08)
 - Master Fastener Bag - 2 of Above and 1 Bag-15 (Bag-MM)