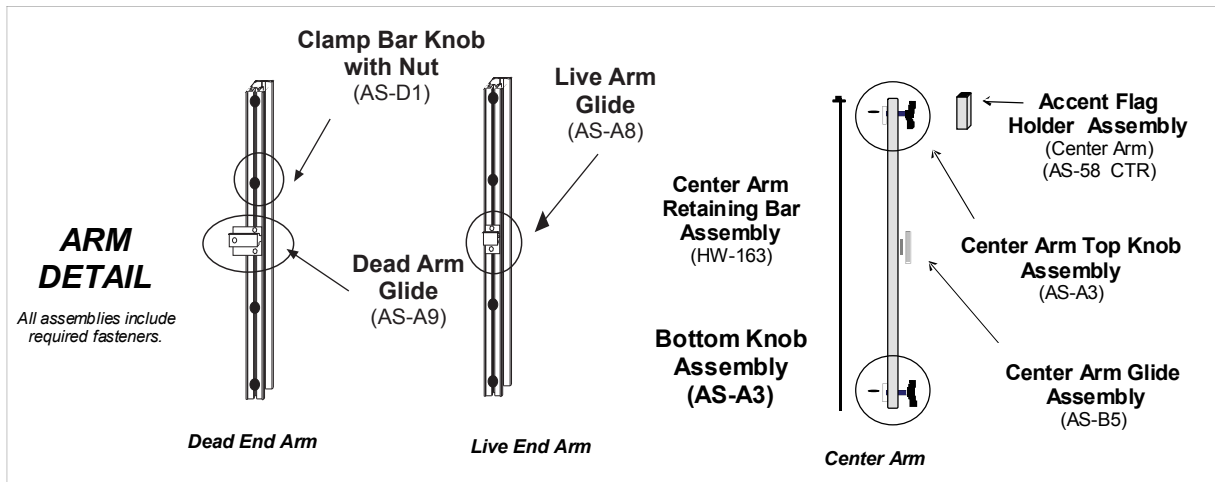
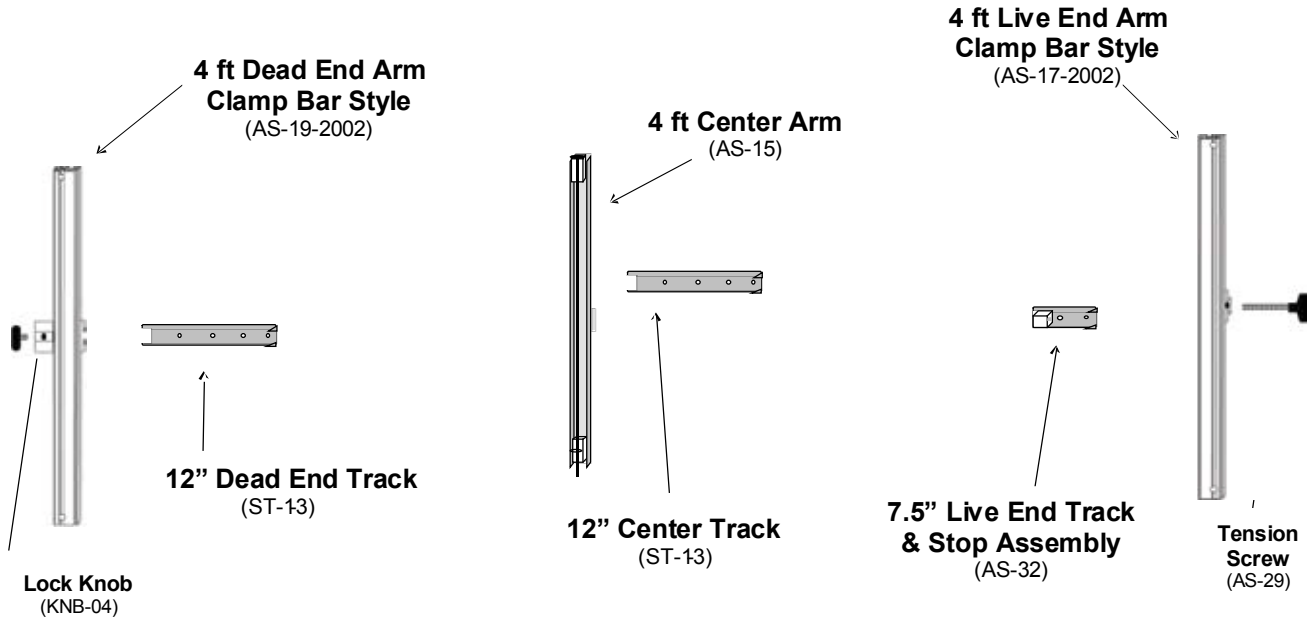


# FLAT WALL HANGTIGHT BANNER FRAME

## 4 X 12 - 20' MODEL - *Clamp Bar Style*

### Replacement Parts Guide



Copyright 2008 Voxpop, Inc.  
Patents Pending  
Rev 02/06  
EXP-HNG3x12-20-CL

#### Replacement Mounting Screws

For fastening tracks to wood surfaces (BAG-07)  
For fasteners for other surfaces, call Voxpop Customer Service for recommendations.

To Order Call Toll-Free 1-800-386-9767  
FAX: 410-641-1092 Int'l 410-641-1090 www.voxpopms.com