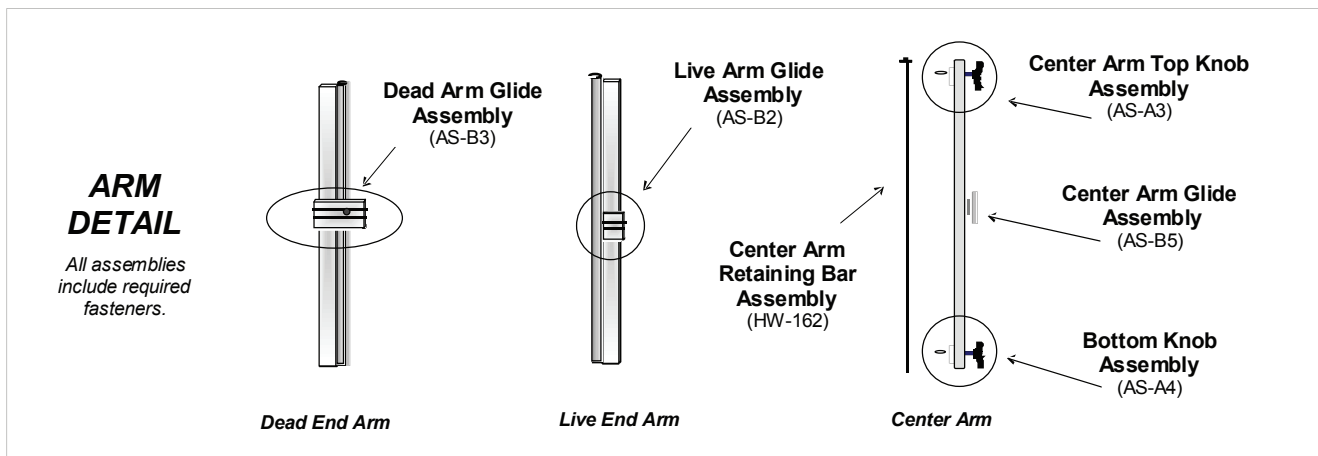
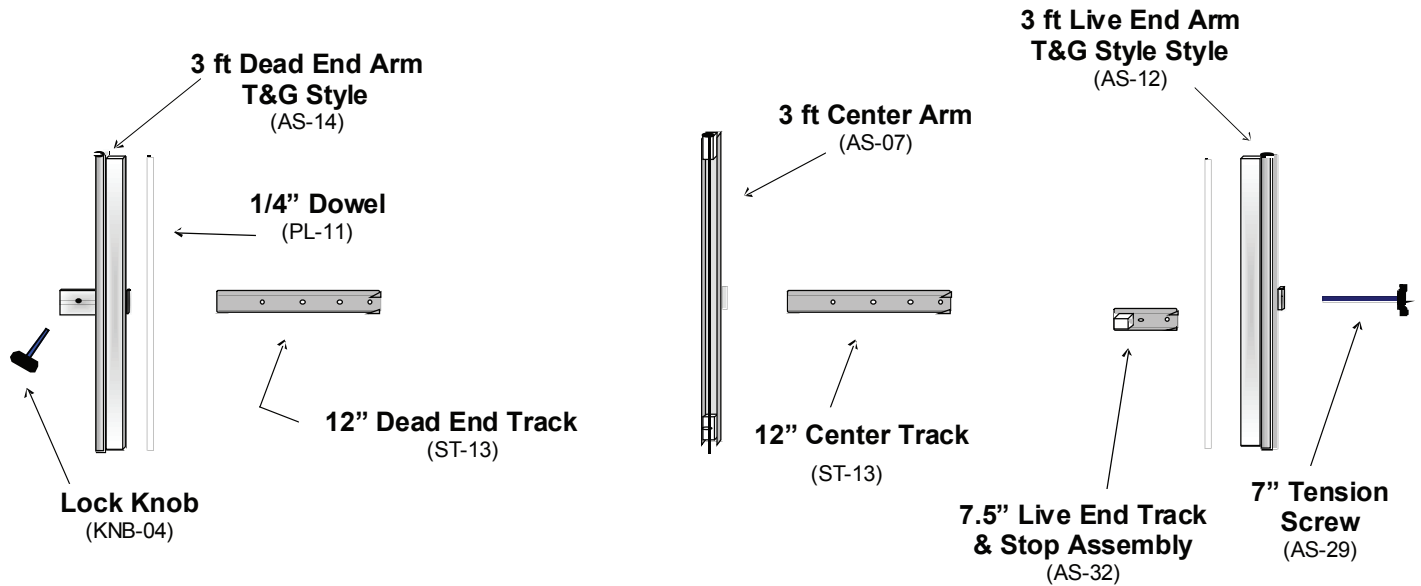


FLAT WALL HANGTIGHT BANNER FRAME

3 x 12-20 FT MODEL - *Tongue & Groove Style*

Replacement Parts Guide



Copyright 2008 Voxpop, Inc.
Patents Pending
Rev. 02/06
EXP-TOP3x10

Replacement Mounting Screws

For fastening tracks to wood surfaces (BAG-07)

For fasteners for other surfaces, call Voxpop Customer Service for recommendations.

To Order Call Toll-Free 1-800-386-9767
FAX: 410-641-1092 Int'l 410-641-1090 www.voxpopms.com