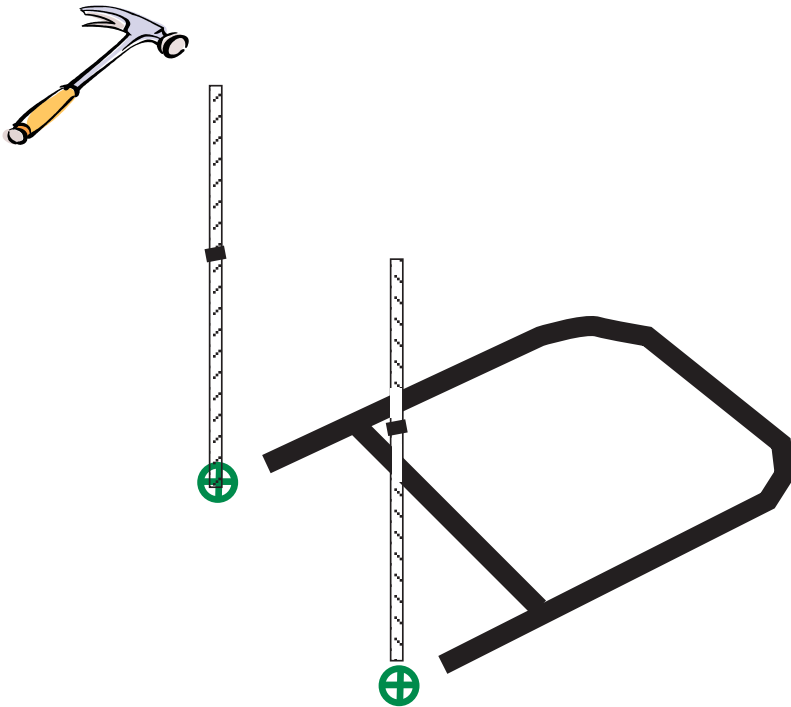


U-FRAME Installation Instructions

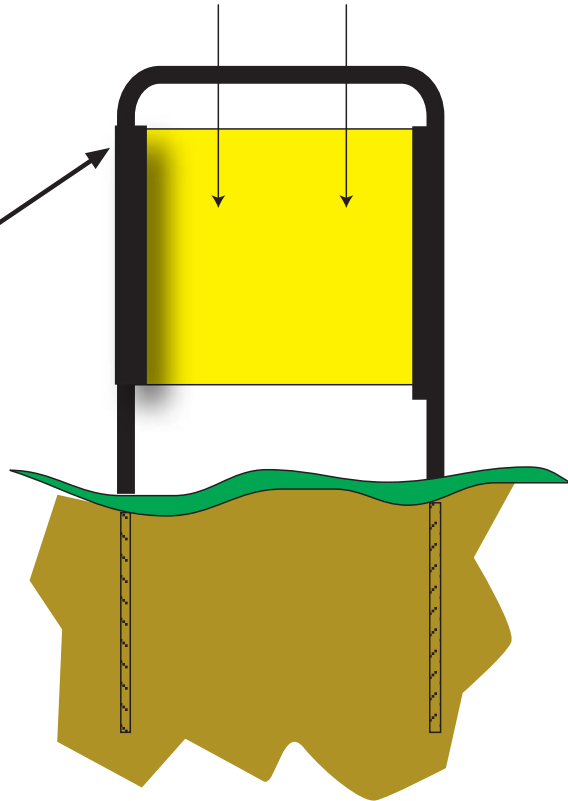


Mark spots on ground to match up with Frame legs.

With a hammer, drive Anchor Rods straight into the ground to the black line. (Longest part in ground)

Slide Frame over Anchor Rods.

Slide Coroplast Sign into channels in front of frame



Questions? Problems? Call Voxpop for assistance.

1-800-386-9767

or e-mail service@voxpathms.com

Manufactured in the USA by

VOXPOP
MARKETING SYSTEMS

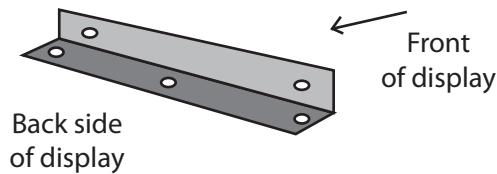
10746 Worcester Highway P.O. Box 200
Berlin, MD 21811 800-386-9767

U-FRAME with Concrete Base Installation Instructions

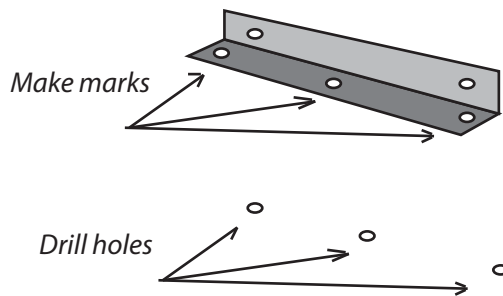
Tools Needed: Power Drill, 1/2" slow spiral masonry drill bit, 7/16" socket head

Fasten Base to Concrete Surface

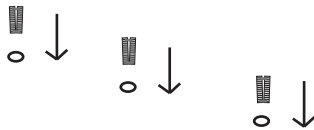
1. Position the base where desired. The side with 3 holes lays on the concrete surface. The side with 2 holes drilled is the FRONT of the display.



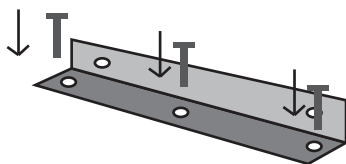
2. Make a mark in the center of each of the three holes. Remove base. On each mark, drill a hole straight into the concrete about 1/2" deeper than the length of the concrete lag shields provided. **Use a 1/2" Slow Spiral Masonry bit**



3. Insert a lag shield into each hole

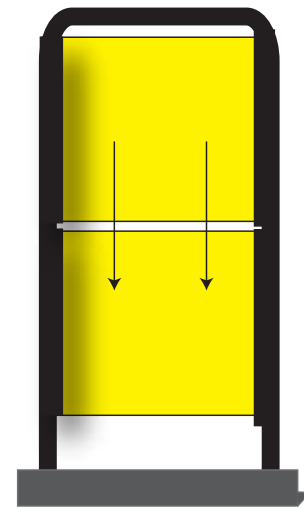
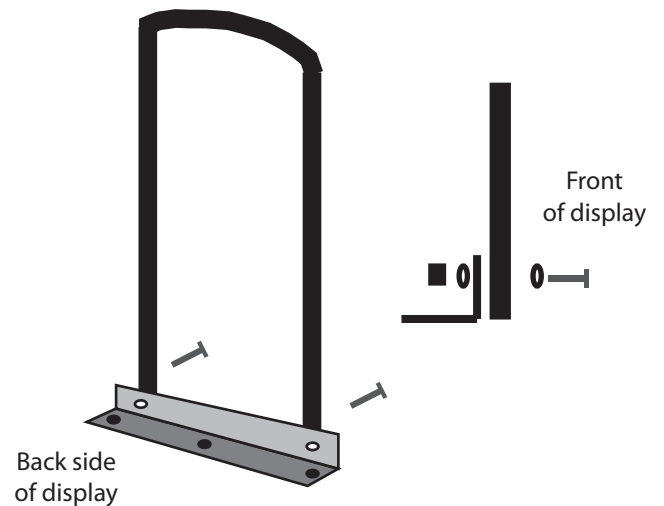


4. Place base over holes, lining up. Insert lag bolts into each hole, tighten with 7/16" socket wrench



Attach Frame to Base

Fasten the Frame to the base by inserting a bolt through the holes in the base and at the bottom of the frame. Use washers as shown. Tighten securely.



Slide Coroplast Signs into channels in front of frame. Slide bottom sign in first.

Questions? Problems? Call Voxpop for assistance.

1-800-386-9767

or e-mail service@voxpops.com

Manufactured in the USA by

VOXPOP

MARKETING SYSTEMS

10746 Worcester Highway P.O. Box 200
Berlin, MD 21811 800-386-9767