

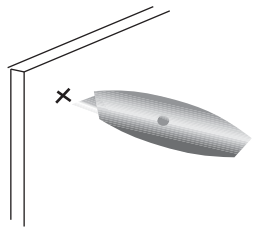
Coroplast Pole Mount Frame - Single sided - Installation Instructions

Tools Required:
Long regular screwdriver
Ladder

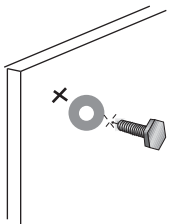
1 Punch the Coroplast



If your coroplast graphic is not pre-punched, first mark location of holes using the aluminum bars.

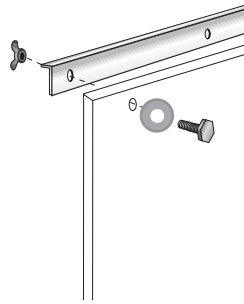


Cut a small X all the way through the coroplast at each mark.

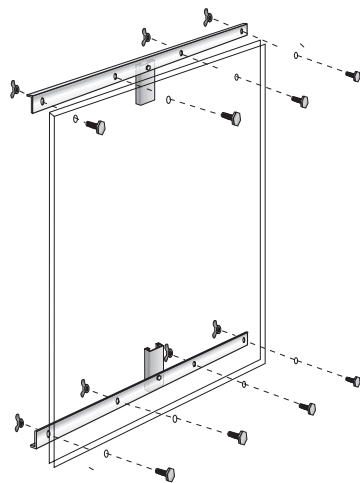


Insert screw through washer and push all the way through.

2 Attach Coroplast to Aluminum Bars

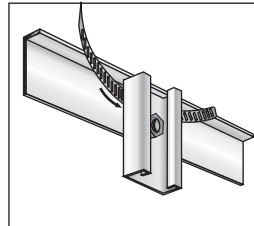


Attach coroplast panels to aluminum bars using screws, washers and wingnuts provided, as shown.



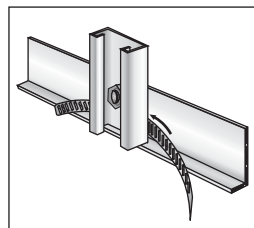
3 Insert the Hose Clamps

TOP



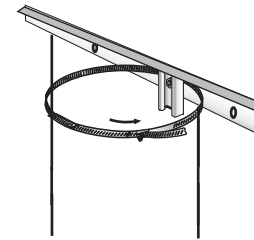
Insert Hose Clamp in space between Bracket and aluminum bar

BOTTOM

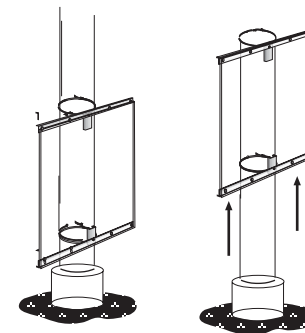


Insert Hose Clamp in space between Bracket and aluminum bar

4 Positioning & Clamping Bars to Pole

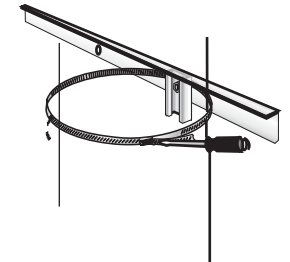


While standing on the ground wrap the hose clamps around the pole. Insert the end of the clamp into the tightening mechanism (both top & bottom brackets).

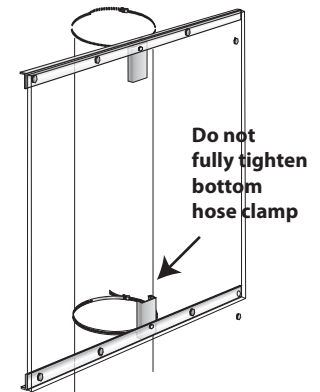


Then slide frame up the pole until it is in the desired location.

5 Securing Hose Clamps on Pole



Now tighten the top hose clamp securely with screwdriver.



Do not tighten the bottom hose clamp securely. Leave it slightly loose so that the weight of the bottom bracket and bar hold the coroplast down.

Manufactured in the USA by

VOXPOP
MARKETING SYSTEMS

10746 Worcester Highway
Berlin, MD 21811 800-386-9767