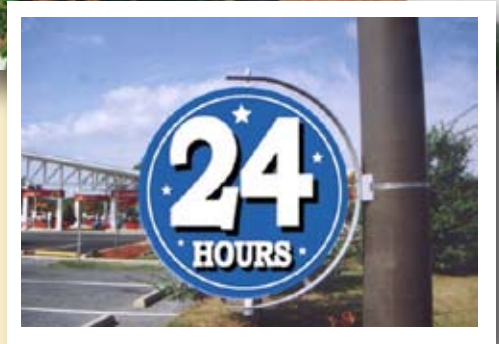
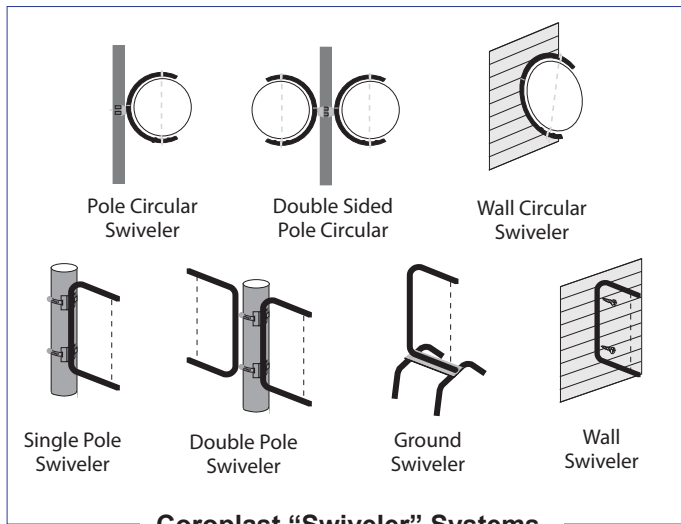


# Swivelers

## Wind-activated coroplast display

Voxpop's innovative Swiveler display system is wind-activated to attract attention and customers! The heavy-duty hardware displays coroplast panels that swivel - but not constantly - so they stay readable. Models are available for mounting on poles, walls or free-standing on the ground.



- ✓ Frames are constructed of heavy duty bent steel - will perform for years!
- ✓ Installation is simple and graphics panels change-outs take are easy and quick
- ✓ Swiveleing action is not constant so your message stays readable
- ✓ Wind spill action reduces wear on panels. Great for long-term promotions!



Swivelers come in several sizes and shapes. Pole-mounted models are available single or double sided. The coroplast panels must be die-cut and printed to exact specifications for each model. Let us help design the perfect display for you!



Swivelers require coroplast inserts made to specifications to fit the hardware. Please consult your Voxpop sales representative for details. Voxpop does not supply the coroplast inserts.

**We don't make your P.O.P.  
We make it WORK!!!**