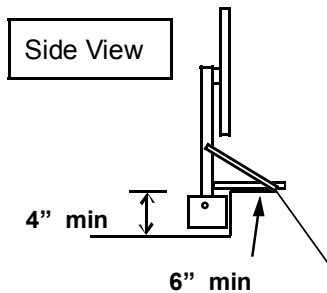
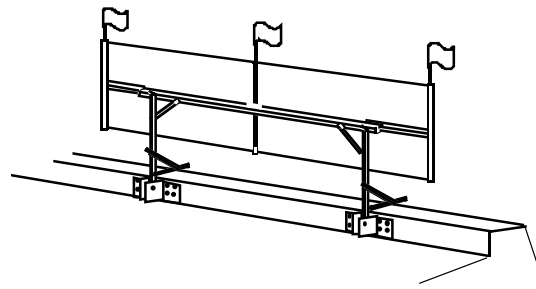


# TOPLINE "SP" UPGRADE INSTALLATION INSTRUCTIONS

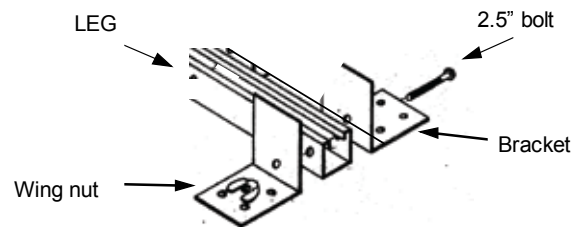


Upgrading your TopLine Frame from a standard model to a Short Parapet ("SP") model means modifying the frame's Legs and Brackets in order to fasten it to a parapet wall less than 16" high. Parapet must have a minimum 4" rise with a minimum 6" flat ledges.

USE THESE INSTRUCTIONS IN CONJUNCTION WITH THE "SHORT PARAPET TOPLINE" INSTRUCTIONS ATTACHED.

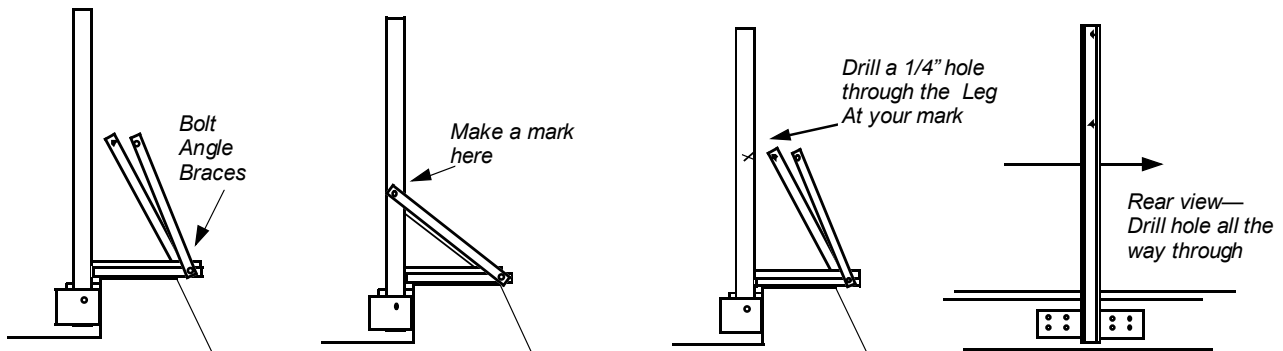
## REMOVE UPPER BRACKETS

If you have already attached upper and lower brackets to each of your frames **Legs**, remove the upper pair. Keep the lower pair, so that your legs appear as shown.



## DRILL THRU-HOLE IN LEGS

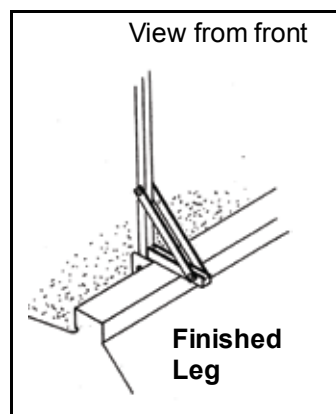
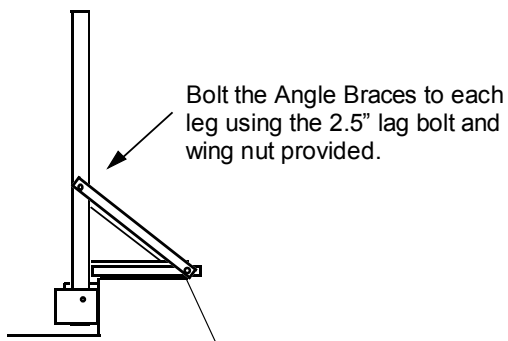
Install your legs as indicated in the accompanying Short Parapet TopLine Instructions. You will need to drill a 1/4" inch hole through each leg as shown below.



Bolt the Angle Braces to the channel.

Fold the braces back until they straddle the Leg as shown. Make a mark through the hole in the Braces.

Using a 1/4" metal drill bit, drill a straight hole all the way through the Leg as shown.



## QUESTIONS? PROBLEMS?

Call Voxpop Customer  
Service at  
**1-800-386-9767**

**Voxpop**  
MARKETING SYSTEMS