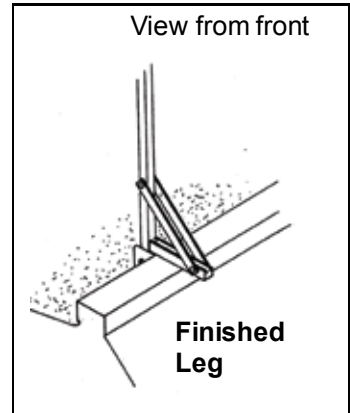
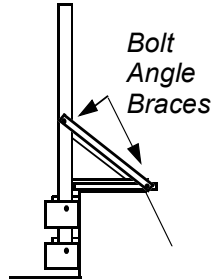
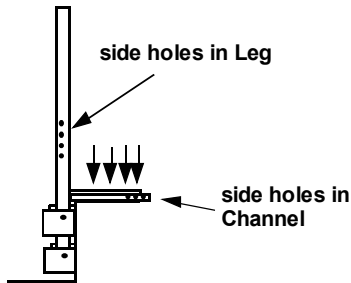


“Hi-Winds” Leg Support Installation Instructions

NOTE: Install these supports after installing the base frame of your TopLine Banner Frame.

HiWinds Upgrades Sold with New Frame :

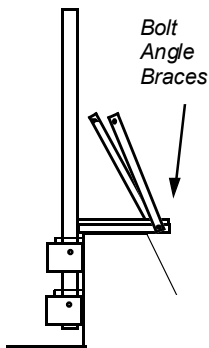


At each Leg of your frame, place a 12” channel section on the top of the parapet and butt it up against the Leg, as shown. Fasten the channel into the top of the parapet with a minimum of three screws - use more if more than three holes will provide a good bite. Fasten securely (*use a sealant over top of screws to prevent water damage*).

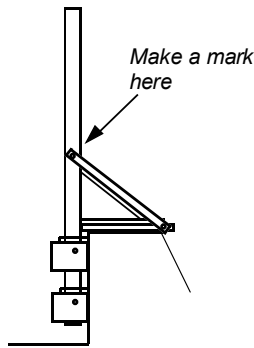
Position an Angle Brace so the holes at each end line up with any combination of holes on the Leg and on the side of the Channel. Once determining which holes to use, fasten (2) Corner braces at each Leg and Channel using a 2.5” bolt and wing nut. Tighten securely.

HiWinds Upgrades Sold Separately

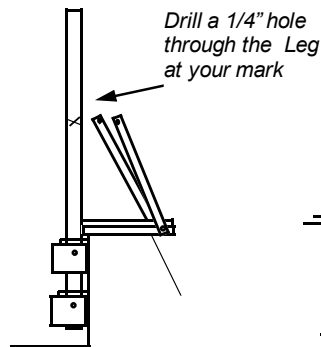
Follow the Instructions above. However, you will first need to drill a 1/4” hole through each of the Legs as shown below.



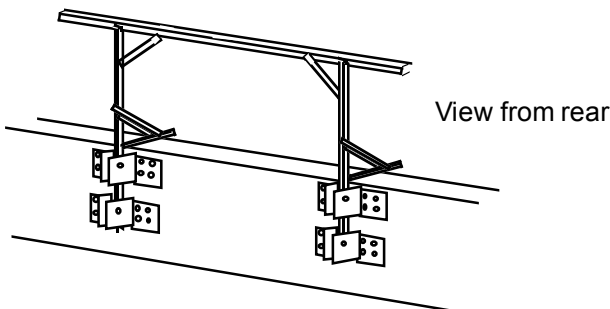
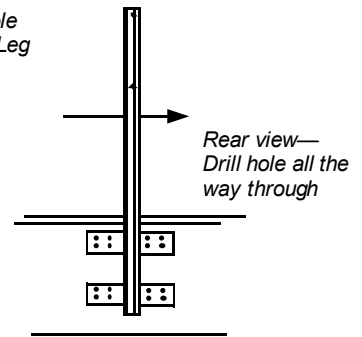
Bolt the Angle Braces to the channel.



Fold the braces back until they straddle the Leg as shown. Make a mark through the hole in the Braces.



Using a 1/4” metal drill bit, drill a straight hole all the way through the Leg as shown.



Manufactured in the USA by

VOXPOP
MARKETING SYSTEMS

**QUESTIONS?
PROBLEMS?**

Call Voxpop Customer Service at

1-800-386-9767