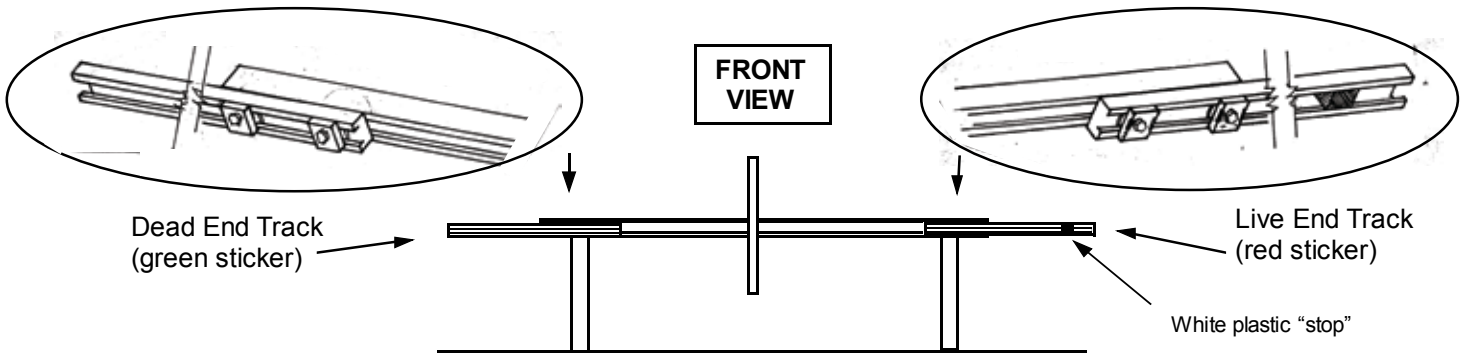
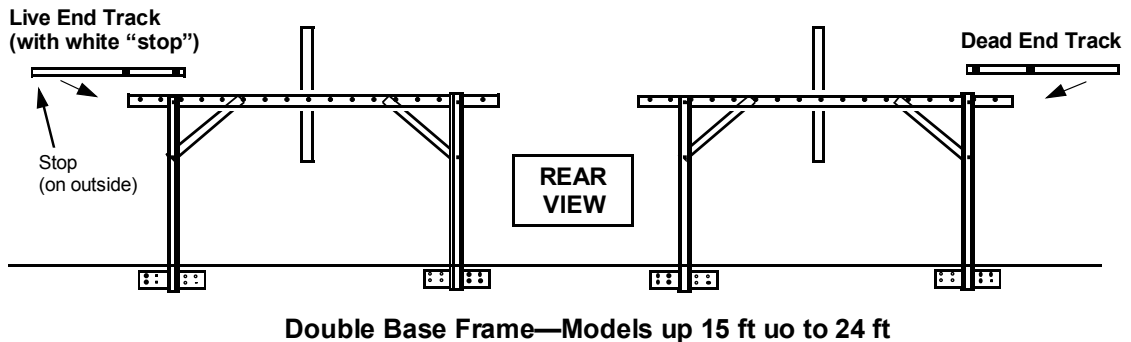
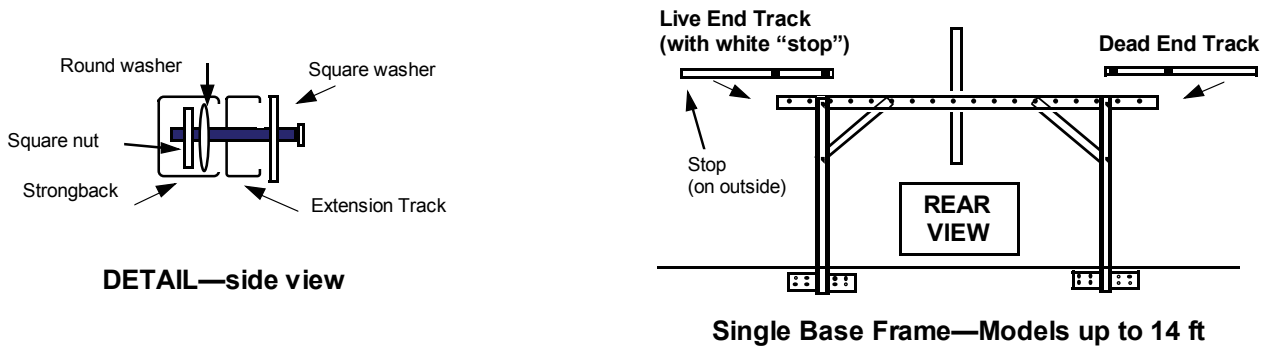


ATTACHING EXTENSION TRACKS TO TOPLINE FRAMES

The **Extension Tracks** provide for the horizontal adjustability on your frame. To attach these, you may need to remove and discard the white plastic "Stop" in the Strongback, on your frame, if one has been installed. A new Stop comes pre-attached to your Live End Extension Track.

SINGLE BASE FRAME MODELS: Loosen both square nuts on each track - out to the edges of the bolts. Working from the **REAR** of the display, slide the **Live End Extension Track** (red sticker) onto the **left** end of the **Strongback**. The channel side of the track should face outward. Insert the square nut **and** round washer into the **Strongback** channel, as shown in the detail diagram. Do this for both sets of nuts & bolts on the track. The **white plastic "Stop"** should be on the left outside portion of the track, as shown. Place the **Dead End Extension Track** on the **right** side of the **Strongback** similarly. Do not tighten them until it is time to put your banner on the frame.

DOUBLE BASE FRAME MODELS: Same as above, however, add Live & Dead End Extension tracks as shown in the Double Base Frame diagram below.



Manufactured in the USA by

VOXPOP
MARKETING SYSTEMS

QUESTIONS? PROBLEMS? CALL VOXPOP CUSTOMER SERVICE TOLL FREE AT : **1-800-3-VOXPOP (386-9767)**

Copyright 2009 Voxpop, Inc. Patents Pending