

TopLine Banner Frame

Single Base-Frame Models

3x6 thru 4x14

Installation Instructions

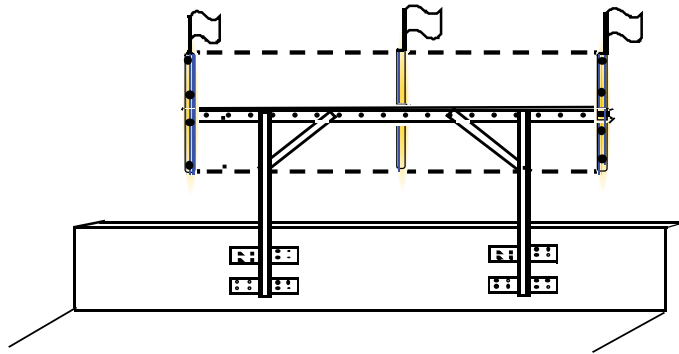
Size

3 x 6 3 x 8 3 x 10 3 x 12 3 x 14

Enclosed:

4 x 6 4 x 8 4 x 10 4 x 12 4 x 14

Extension Track Addendum



Manufactured in the USA by

VOXPOP

MARKETING SYSTEMS

10746 Worcester Highway P.O. Box 200
Berlin, MD 21811 800-386-9767

IMPORTANT CAUTION & SAFETY NOTICE !!

Read Before Installing !

The TopLine Banner Frame must be installed and used exactly according to these instructions in order to validate the warranty. Installation should be performed by a knowledgeable mechanic or maintenance person. Voxpop does not provide sealants or other moisture inhibitors. Installation of this product may void roofing material warranties. Consult your roofing material manufacturer for recommended weatherproofing steps. The mounting surface must be a minimum 3/8" plywood. Mounting surfaces other than wood will require mounting fasteners or permanent supports not included with this product. Use of this product in winds exceeding 40 MPH may result in damage to the framework, your building, or other property. Any installed banner **MUST BE REMOVED** in the event of high winds. The frame should **NEVER** be put in the "lay back" position with the banner or vertical "Arms" attached. Questions ? Call Voxpop for installation advice **BEFORE** installing.

STEP ONE - PREPARATION & LAYOUT

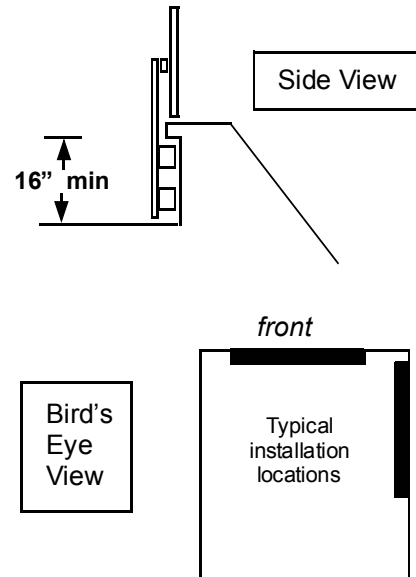
Your TopLine Model base frame is designed for installation on the back side of the parapet (knee) wall on your building's roof. A minimum 16" high vertical parapet is required. *If your parapet is less than 16" high, call Voxpop to order a "Short Parapet" upgrade kit.* Install the frame as high on the parapet wall as you can, to be sure the banner will clear the top of the wall. The frame allows for a 2" offset parapet header. Shims may be required for larger offsets.

Select a location for your finished display that will maximize its merchandising effectiveness. Typically this will be the front of the building or on the front portion of the *side* of the building, where traffic will notice.

**TOOLS :
NEEDED**

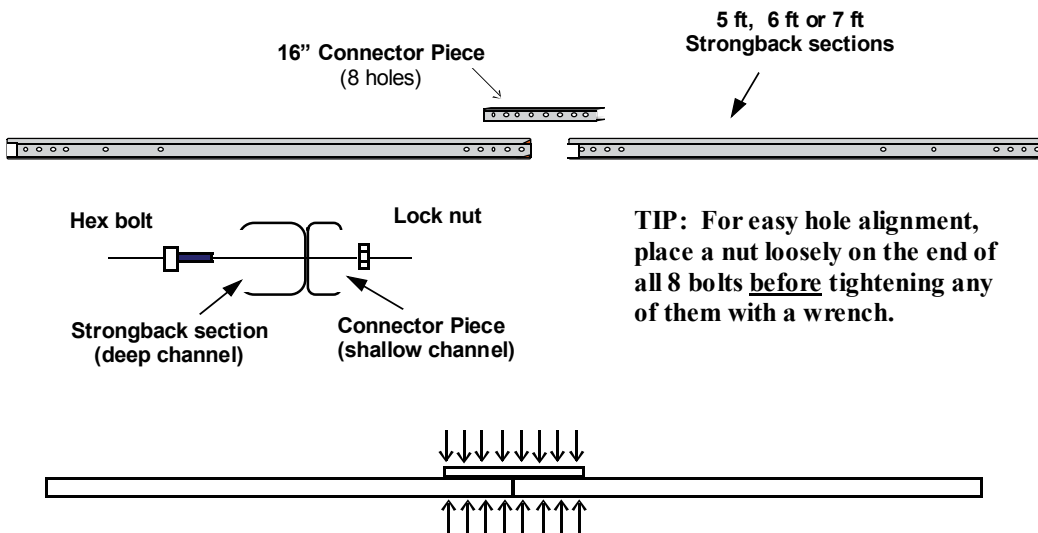
Level	Power drill or driver
#2 or #3 driver bit	Measuring tape
(2) 7/16 deep socket wrenches or ratchets	Adjustable crescent wrench

*We recommend the use of sealants or caulking (not included).
Bracket fasteners included are for strong, wood backed surfaces only.
Call Voxpop for assistance with alternate surfaces.*



STEP TWO - INSTALLING THE BASE FRAME

10 ft, 12 ft & 14 ft Models Only : Assemble the Strongback

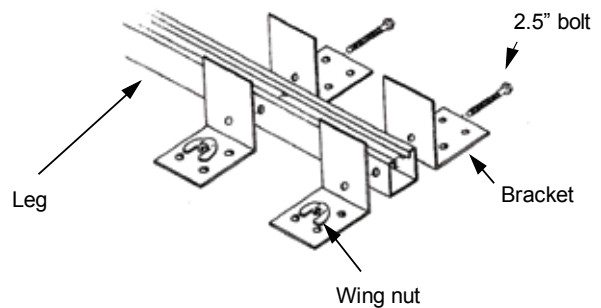


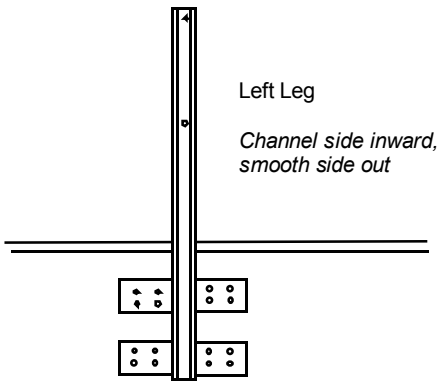
Using the bag of (8) ea 3/4" hex bolts and nylon-insert lock nuts, secure fasten the two sections of Strongback together with the 16" connector piece. Be sure to use all eight bolts and nuts, fastening through the first 4 holes on each of the Strongback sections. Be sure the bolts are in the Strongback channel, and the lock nuts are in the Connector piece channel, as shown.

ALL MODELS:

1. ASSEMBLE LEG BRACKETS

Lay each 4 ft Leg down, channel side up. Fasten (4) **Mounting Brackets** to each, exactly as shown. Use the 2.5" bolts and wing nuts. Tighten securely.

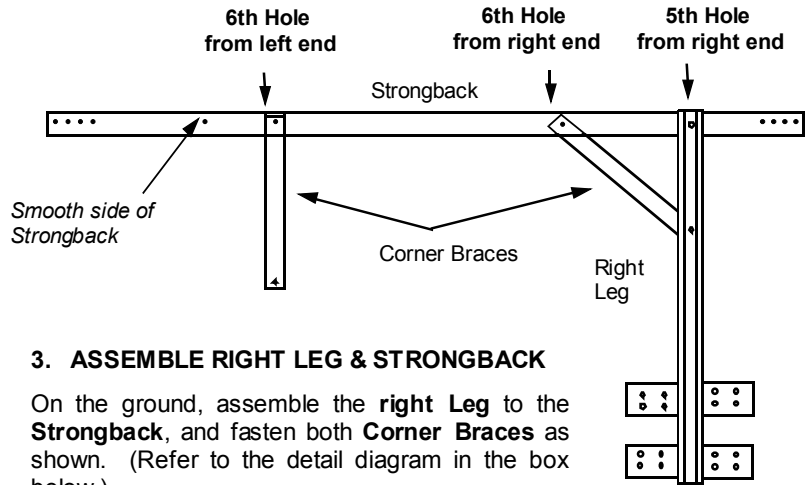




2. FASTEN LEFT LEG TO WALL

Fasten an assembled **Leg** to the back side of the parapet wall at the **left** side of your display. For wood surfaces, use the 1.5" screws provided. Be sure to fasten at **all** 16 holes, and be sure screws are in tight.

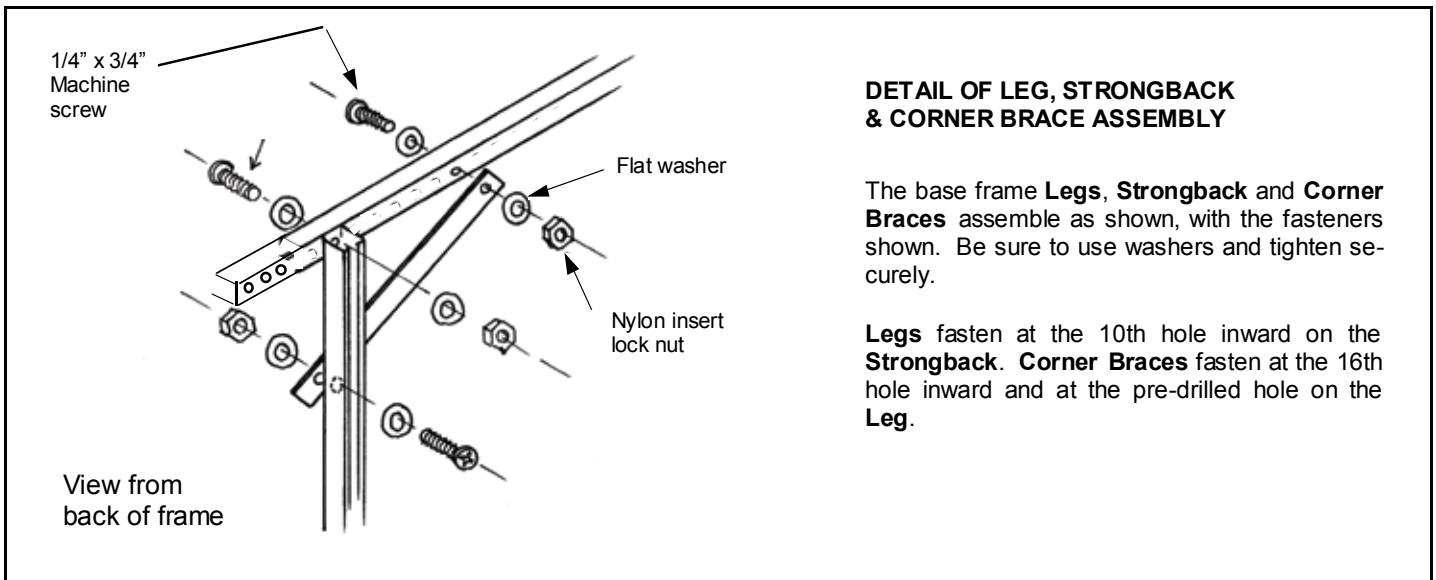
To prevent water damage, it is recommended you apply a sealant over all screw heads. See safety notice on page 1.



3. ASSEMBLE RIGHT LEG & STRONGBACK

On the ground, assemble the **right Leg** to the **Strongback**, and fasten both **Corner Braces** as shown. (Refer to the detail diagram in the box below.)

Fasten the **Leg** at the **5th** hole inward and the **Corner Braces** at the **6th** holes inward as shown. Fasten the **right Corner Brace** at the pre-drilled hole in the **right Leg**



DETAIL OF LEG, STRONGBACK & CORNER BRACE ASSEMBLY

The base frame **Legs**, **Strongback** and **Corner Braces** assemble as shown, with the fasteners shown. Be sure to use washers and tighten securely.

Legs fasten at the 10th hole inward on the **Strongback**. **Corner Braces** fasten at the 16th hole inward and at the pre-drilled hole on the **Leg**.

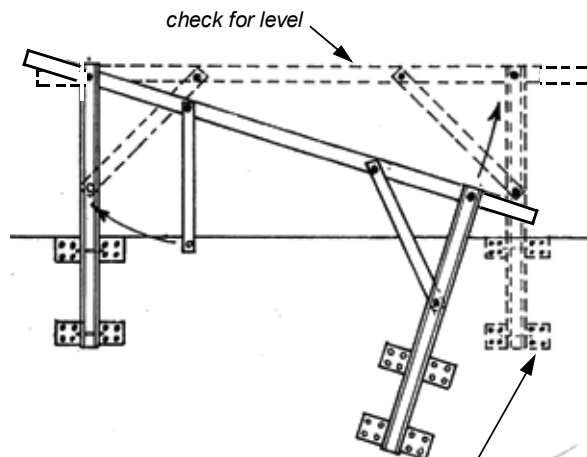
4. BOLT RIGHT LEG & STRONGBACK ASSEMBLY TO LEFT LEG

Bolt the **Strongback** (with right Leg attached) to the **left Leg**. (Refer to detail diagram above).

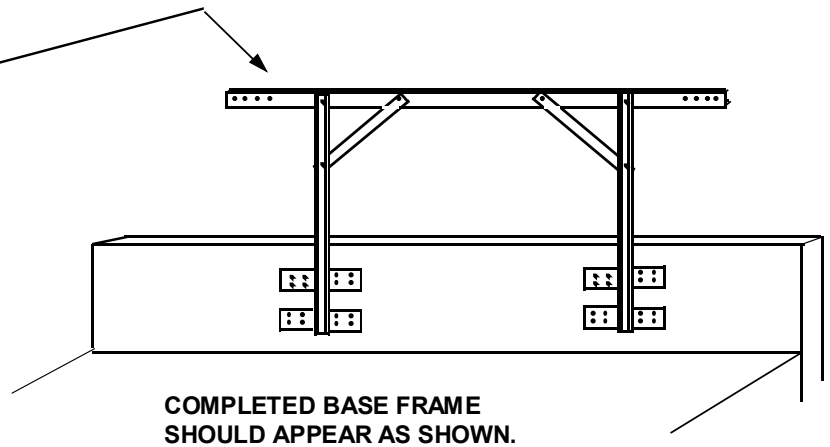
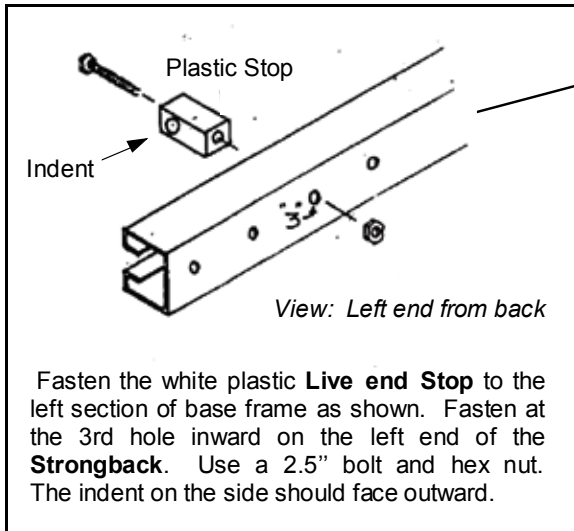
Then, raise the assembly until the **Strongback** is level. Hold in place and fasten one screw in one of the brackets on the **right Leg**, holding to the parapet.

Bolt the left **Corner Brace** to the **left Leg**. The holes should line up. If not, remove the single screw in the **right Leg** and adjust.

Finish fastening the **right Leg** to the parapet at the remaining 15 screw holes.

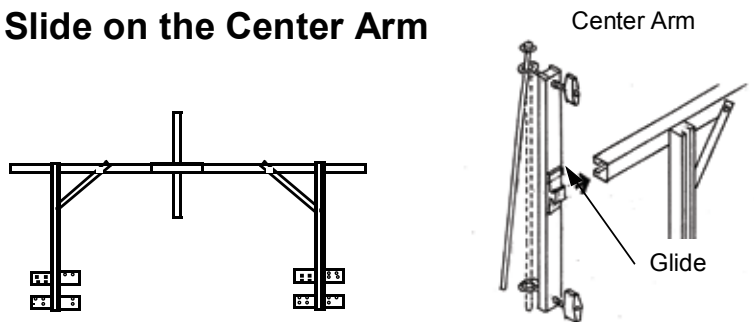


Tip: Fasten one screw here to hold in place. Then, if left Corner Brace fits correctly, screw in through the other 15 holes.



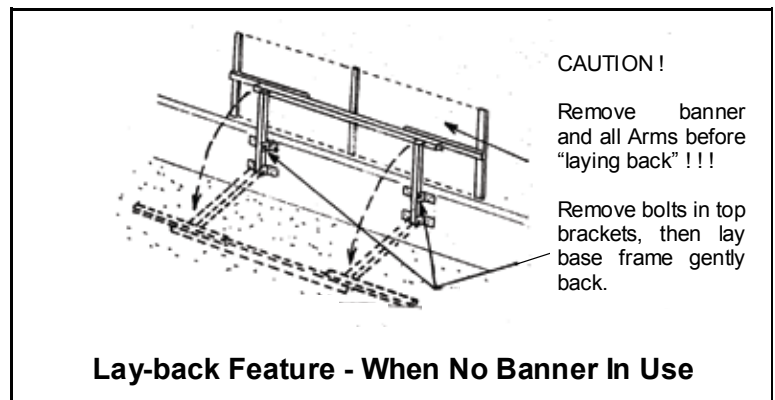
10 ft, 12 ft & 14 ft Models Only : Slide on the Center Arm

Slide the (yellow sticker) **Center Arm** onto the **Strongback**. Position the **Glide** so that it inserts into the channel in the **Strongback**. The channel side of the **Center Arm** should be facing outward. Slide it to the center of the base frame.



To attach banner, see separate instructions:
"Installing the Banner".

DO NOT DISPLAY A BANNER ON THIS FRAME IN WINDS ABOVE 40 MPH !!



INSTALLER: Please leave the copy of "Installing the Banner" with the facility manager for future use.

QUESTIONS? COMMENTS? CALL VOXPOP CUSTOMER SERVICE
TOLL FREE AT: 1-800-386-9767 Fax 410/641-1092
OUTSIDE U.S. CALL 1-410-641-1090
 Copyright 2009 Voxpop Marketing Systems
 Patents Pending

Voxpop Marketing Systems
www.voxpopms.com