

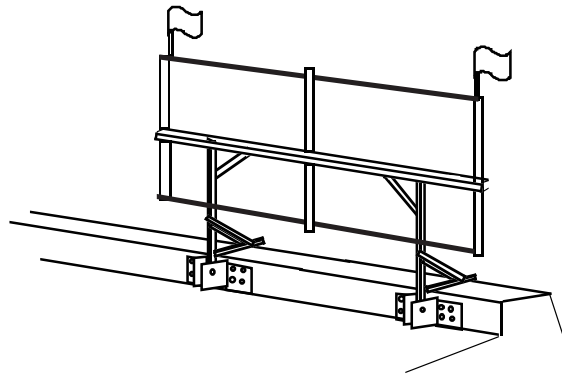
TopLine "SP" Banner Frame

Single Base Frame Models

3x6 thru 4x14

Installation Instructions

Size 3 x 6 3 x 8 3 x 10 3 x 12 3 x 14
Enclosed: 4 x 6 4 x 8 4 x 10 4 x 12 4 x 14



Manufactured in the USA by

VOXPOP
MARKETING SYSTEMS

10746 Worcester Highway P.O. Box 200
Berlin, MD 21811 800-386-9767

IMPORTANT CAUTION & SAFETY NOTICE !! **Read Before Installing !**

The TopLine Banner Frame must be installed and used exactly according to these instructions in order to validate the warranty. Installation should be performed by a knowledgeable mechanic or maintenance person. Voxpop does not provide sealants or other moisture inhibitors. Installation of this product may void roofing material warranties. Consult your roofing material manufacturer for recommended weather-proofing steps. The mounting surface must be a minimum 3/8" plywood. Mounting surfaces other than wood will require mounting fasteners or permanent supports not included with this product. Use of this product in winds exceeding 40 MPH may result in damage to the framework, your building, or other property. Any installed banner **MUST BE REMOVED** in the event of high winds. The frame should **NEVER** be put in the "lay back" position with the banner or vertical "Arms" attached. Questions ? Call Voxpop for installation advice **BEFORE** installing.

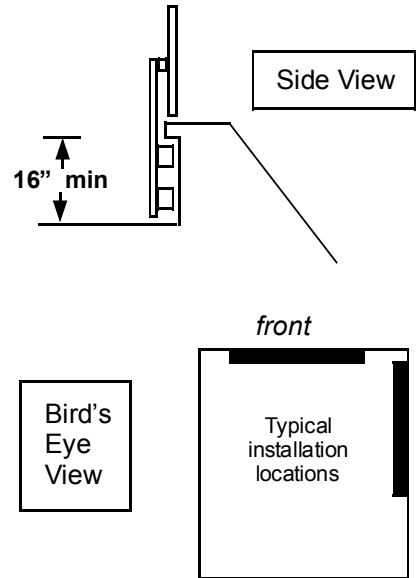
STEP ONE - PREPARATION & LAYOUT

Your TopLine Model base frame is designed for installation on the back side of the parapet (knee) wall on your building's roof. A minimum 16" high vertical parapet is required. *If your parapet is less than 16" high, call Voxpop to order a "Short Parapet" upgrade kit.* Install the frame as high on the parapet wall as you can, to be sure the banner will clear the top of the wall. The frame allows for a 2" offset parapet header. Shims may be required for larger offsets.

Select a location for your finished display that will maximize its merchandising effectiveness. Typically this will be the front of the building or on the front portion of the *side* of the building, where traffic will notice.

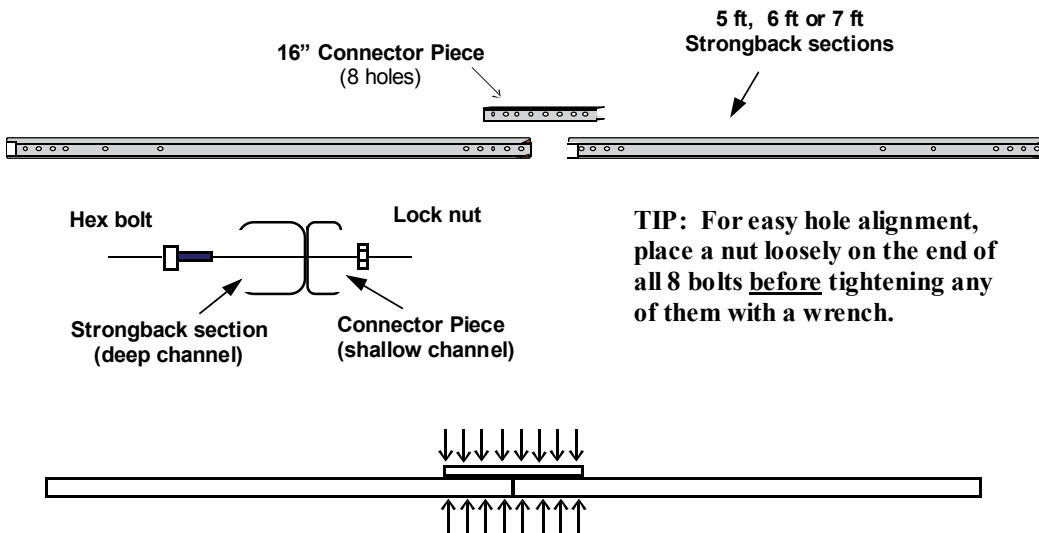
- TOOLS :**
- | | | |
|---------------|---|----------------------------|
| NEEDED | Level | Power drill or driver |
| | #2 or #3 driver bit | Measuring tape |
| | (2) 7/16 deep socket wrenches or ratchets | Adjustable crescent wrench |

*We recommend the use of sealants or caulking (not included).
Bracket fasteners included are for strong, wood backed surfaces only.
Call Voxpop for assistance with alternate surfaces.*



STEP TWO - INSTALLING THE BASE FRAME

10 ft, 12 ft & 14 ft Models Only : Assemble the Strongback

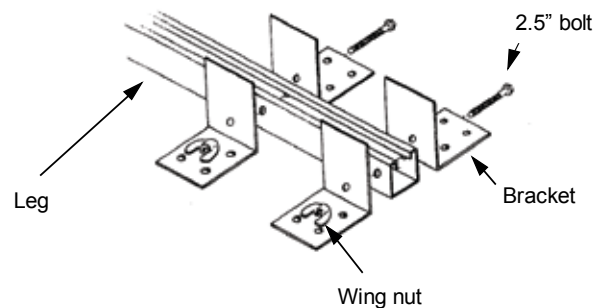


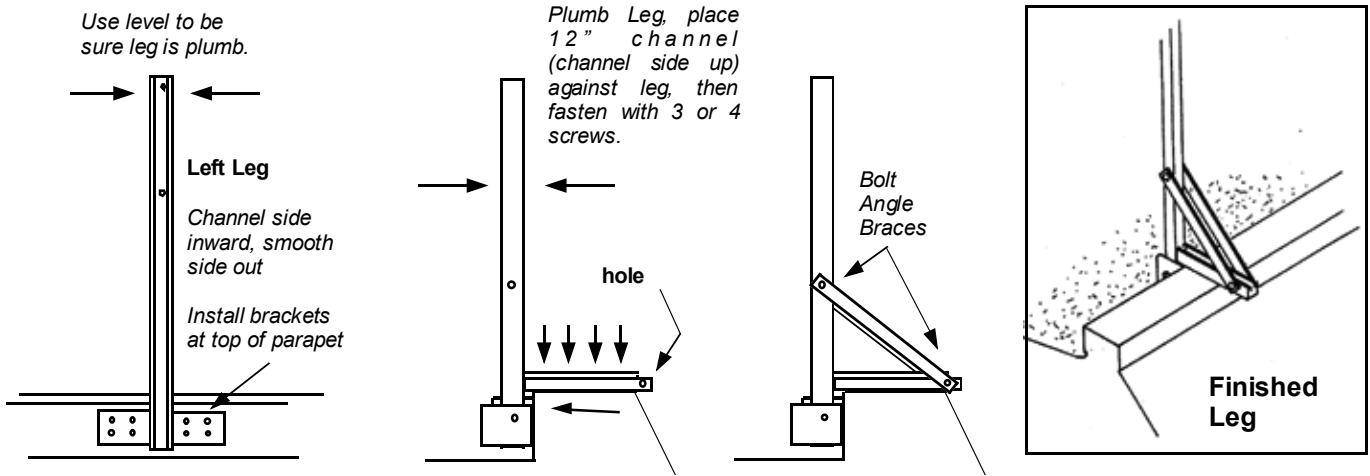
Using the bag of (8) ea 3/4" hex bolts and nylon-insert lock nuts, secure fasten the two sections of Strongback together with the 16" connector piece. Be sure to use all eight bolts and nuts, fastening through the first 4 holes on each of the Strongback sections. Be sure the bolts are in the Strongback channel, and the lock nuts are in the Connector piece channel, as shown.

ALL MODELS:

1. ASSEMBLE LEG BRACKETS

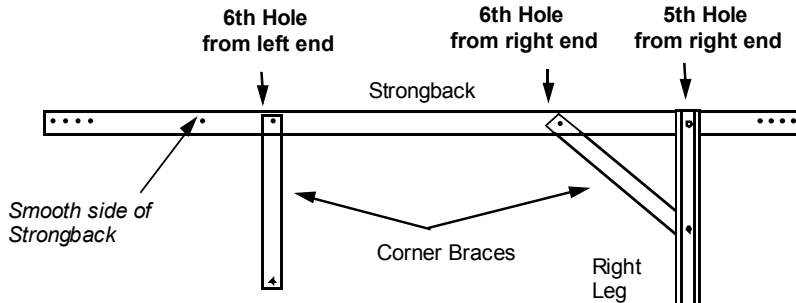
Lay each 4 ft Leg down, channel side up. Fasten (4) **Mounting Brackets** to each, exactly as shown. Use the 2.5" bolts and wing nuts. Tighten securely.





2. FASTEN LEFT LEG TO WALL

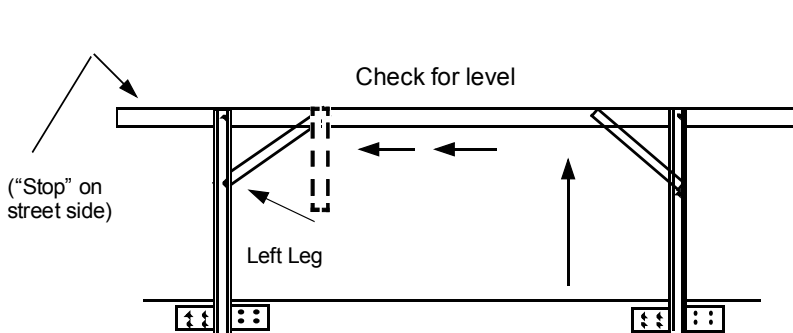
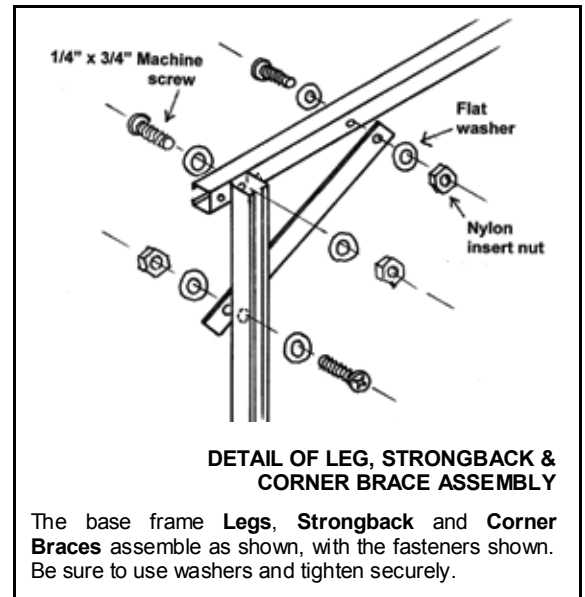
Fasten an assembled **Leg** to the back side of the parapet wall at the very **left** side of your display. For wood surfaces, use the 1.5" screws provided. Be sure to fasten at **all** 8 holes, and be sure screws are in tight. Place a **12" Channel section** against the **Leg**, directly in front, with the **side hole** in the channel away from the **Leg**. Fasten the channel into the parapet header with 3 or 4 screws - be sure to get a good bite. Then, fasten (2) **Angle Braces** to the **Leg** with a 2.5" bolt, washer and wing nut. Line up the holes at the bottom of the **Angle Braces** with the side hole in the **Channel**, and fasten with a bolt, washer and wing nut. If the holes do not line up, you may need to re-set the **12" Channel section**. *We recommend using caulk or silicone sealant at fastening points.*



3. ASSEMBLE RIGHT LEG & STRONGBACK

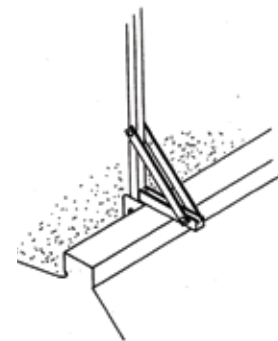
On the ground, assemble the **right Leg** to the **Strongback**, and fasten both **Corner Braces** as shown. (Refer to the detail diagram in the box below.)

Fasten the **Leg** at the **5th** hole inward and the **Corner Braces** at the **6th** holes inward as shown. Fasten the **right Corner Brace** at the pre-drilled hole in the **right Leg**



4. ATTACH TO LEFT LEG (Best done with 2 people)

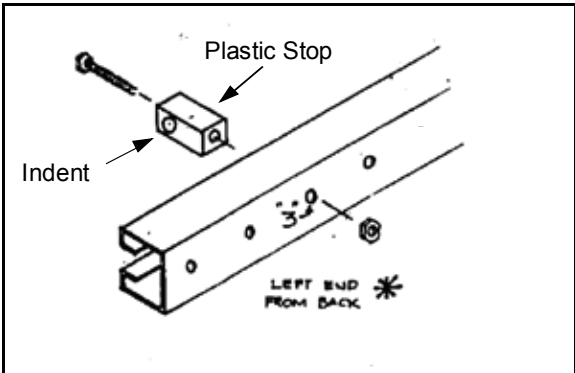
Lift the **Strongback** with the **right Leg** attached, and bolt it to the **left Leg**. Raise it until it is level, and fasten the **left Corner Brace** to the **left Leg**. (Refer to detail on previous page.) Then, screw the **right Leg** to the wall.



5. ATTACH RIGHT LEG CHANNEL and BRACES

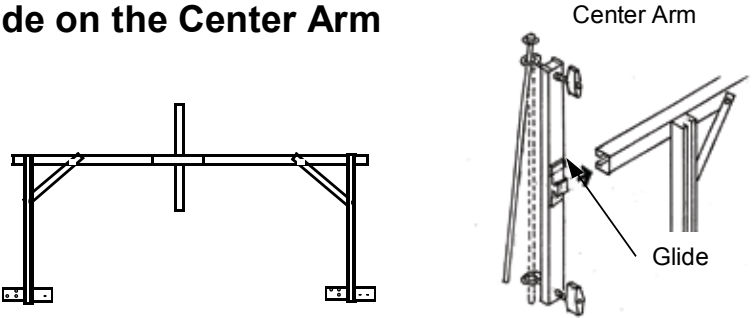
Secure **right Leg** channel and braces in the same fashion as the left Leg.

6.. Fasten the white plastic **Live end Stop** to the left section of base frame as shown. Fasten at the 3rd hole inward on the left end of the **Strongback**. Use a 2.5" bolt and hex nut. Be sure the indented side faces outward.



10, 12 & 14 ft Models Only : Slide on the Center Arm

Slide the (yellow sticker) **Center Arm** onto the **Strongback**. Position the **Glide** so that it inserts into the channel in the **Strongback**. The channel side of the **Center Arm** should be facing outward. Slide it to the center of the base frame.



To attach banner, see separate instructions:
"Installing the Banner"

DO NOT DISPLAY A BANNER ON THIS FRAME IN WINDS ABOVE 40 MPH !!

INSTALLER: Please leave the copy of "Installing the Banner" with the facility manager for future use.

QUESTIONS? COMMENTS? CALL VOXPOP CUSTOMER SERVICE
TOLL FREE AT: 1-800-386-9767 Fax 410/641-1092
OUTSIDE U.S. CALL 1-410-641-1090
 Copyright 2009 Voxpop Marketing Systems
 Patents Pending