

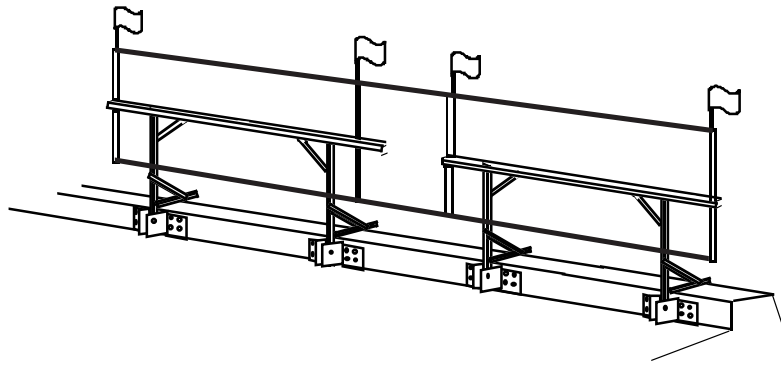
TopLine "SP" Banner Frame

Double Base Frame Models

3x15 thru 4x20

Installation Instructions

Size 3 x 15 3 x 16 3 x 18 3 x 20
Enclosed: 4 x 15 4 x 16 4 x 18 4 x 20



Manufactured in the USA by

VOXPOP
MARKETING SYSTEMS

10746 Worcester Highway P.O. Box 200
Berlin, MD 21811 800-386-9767

www.voxpopms.com

IMPORTANT CAUTION & SAFETY NOTICE !! **Read Before Installing !**

The TopLine Banner Frame must be installed and used exactly according to these instructions in order to validate the warranty. Installation should be performed by a knowledgeable mechanic or maintenance person. Voxpop does not provide sealants or other moisture inhibitors. Installation of this product may void roofing material warranties. Consult your roofing material manufacturer for recommended weatherproofing steps. The mounting surface must be a minimum 3/8" plywood. Mounting surfaces other than wood will require mounting fasteners or permanent supports not included with this product. Use of this product in winds exceeding 40 MPH may result in damage to the framework, your building, or other property. Any installed banner **MUST BE REMOVED** in the event of high winds. Questions ? Call Voxpop for installation advice **BEFORE** installing.

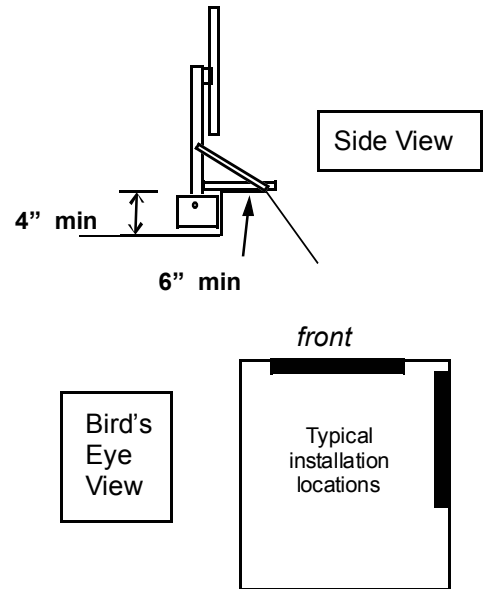
STEP ONE - PREPARATION & LAYOUT

The TopLine "SP" Model is comprised of (2) base frames that measure up to 24 ft across, depending on your model size. Your frame is designed for installation on the back side of the parapet (knee) wall on your building's roof. A minimum 4" high vertical parapet is required, with a minimum 6" flat ledge. The frame allows for a 2" offset parapet header. Shims may be required for larger offsets.

Select a location for your finished display that will maximize its merchandising effectiveness. Typically this will be the front of the building or on the front portion of the side of the building, where traffic will notice. Then, examine the front page of this instruction booklet to get a visual overview of how the finished frame will appear.

- TOOLS :
NEEDED**
- | | |
|--|-----------------------------------|
| Level | Power drill or driver |
| #2 or #3 driver bit | Measuring tape |
| (2) 7/16 deep socket wrenches or ratchets | Adjustable crescent wrench |

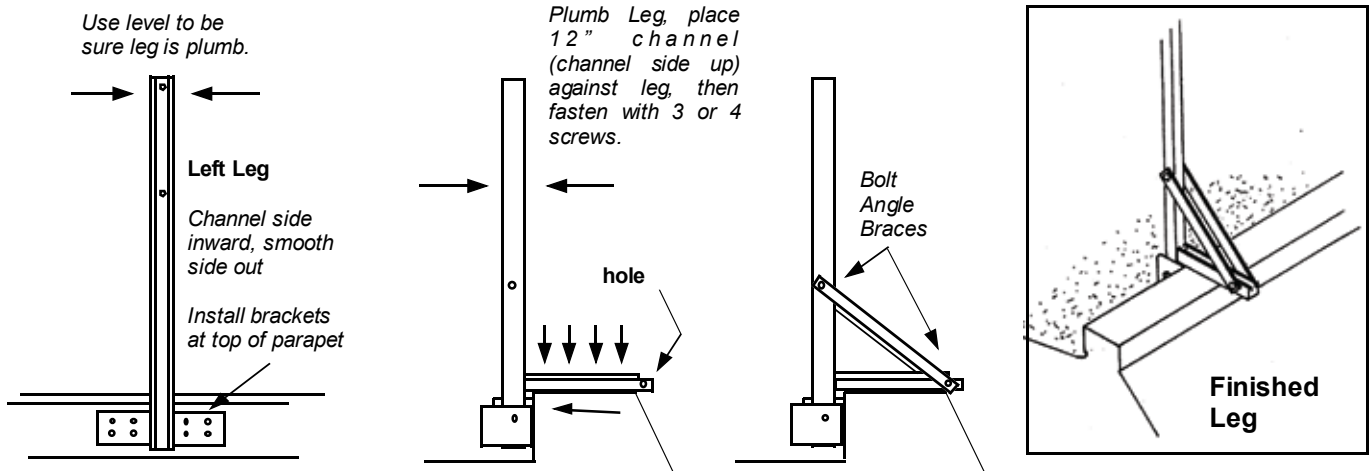
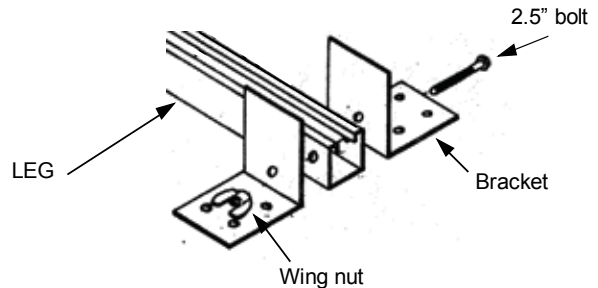
*We recommend the use of sealants or caulking (not included).
Bracket fasteners included are for strong, wood backed surfaces only.
Call Voxpop for assistance with alternate surfaces.
Two people are needed for easy installation of this product.*



STEP TWO - INSTALLING THE BASE FRAME

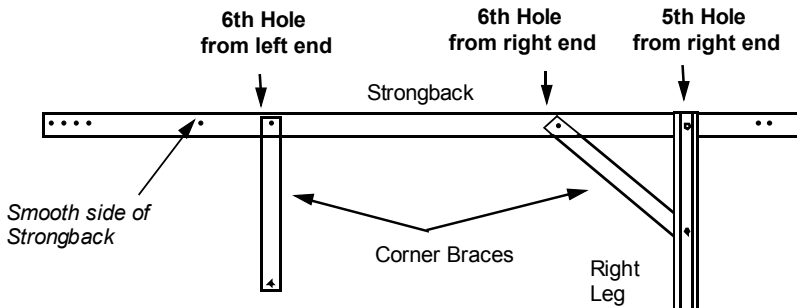
1. ASSEMBLE LEG BRACKETS

Lay each of the (4) 4 ft (deep channel) **Legs** down, channel side up. Fasten (2) **Mounting Brackets** to each, exactly as shown. Use the 2.5" bolts and wing nuts. Tighten securely.



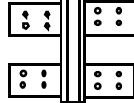
2. FASTEN LEFT LEG TO WALL

Fasten an assembled **Leg** to the back side of the parapet wall at the very **left** side of your display. This will be the **left** leg of the **left** portion of the frame (see front page). For wood surfaces, use the 1.5" screws provided. Be sure to fasten at all 16 holes, and be sure screws are in tight. Place a **12" Channel section** against the **Leg**, directly in front, with the **side** hole in the channel away from the **Leg**. Fasten the channel into the parapet header with 3 or 4 screws - be sure to get a good bite. Then, fasten (2) **Angle Braces** to the **Leg** with a 2.5" bolt, washer and wing nut. Line up the holes at the bottom of the **Angle Braces** with the side hole in the **Channel**, and fasten with a bolt, washer and wing nut. If the holes do not line up, you may need to re-set the **12" Channel section**. *We recommend using caulk or silicone sealant at fastening points.*

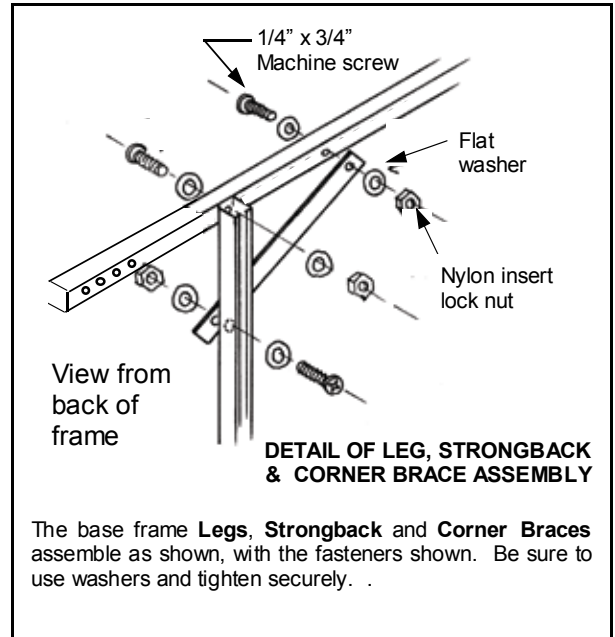


3. ASSEMBLE RIGHT LEG & STRONGBACK

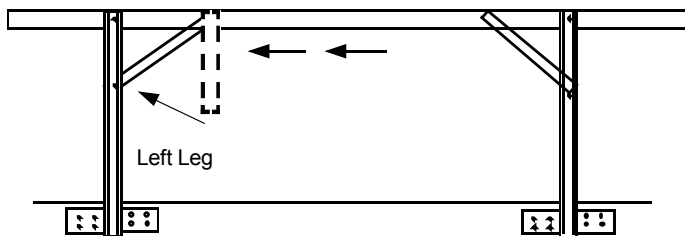
On the ground, assemble the **right Leg** to the **Strongback**, and fasten both **Corner Braces** as shown. (Refer to the detail diagram in the box below.)



Fasten the **Leg** at the **5th** hole inward and the **Corner Braces** at the **6th** holes inward as shown. Fasten the **right Corner Brace** at the pre-drilled hole in the **right Leg**



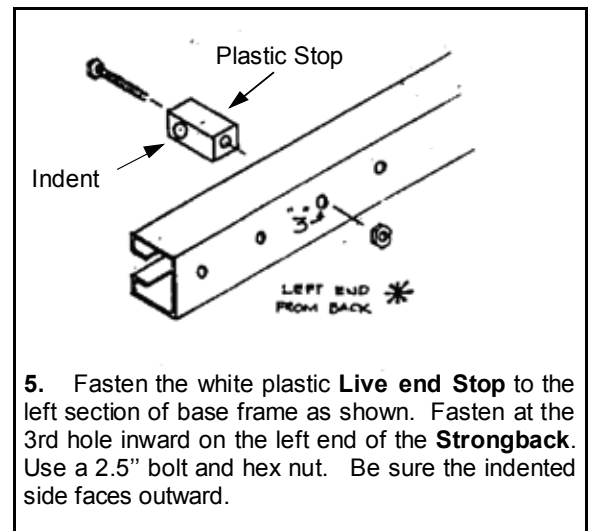
The base frame **Legs**, **Strongback** and **Corner Braces** assemble as shown, with the fasteners shown. Be sure to use washers and tighten securely.



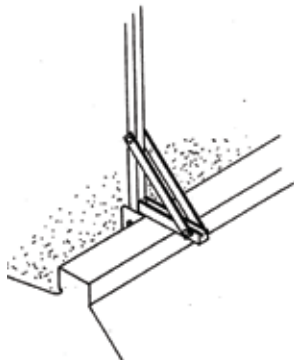
4. ATTACH TO LEFT LEG

(Best done with 2 people)

Lift the **left Strongback** with the **right Leg** attached, and bolt it to the **left Leg**. Raise it until it is level, and fasten the **left Corner Brace** to the **left Leg**. (Refer to detail at top of page.) Then, screw the **right Leg** to the wall.

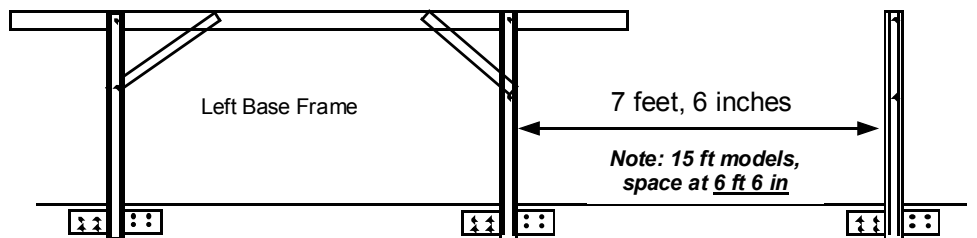


5. Fasten the white plastic **Live end Stop** to the left section of base frame as shown. Fasten at the 3rd hole inward on the left end of the **Strongback**. Use a 2.5" bolt and hex nut. Be sure the indented side faces outward.



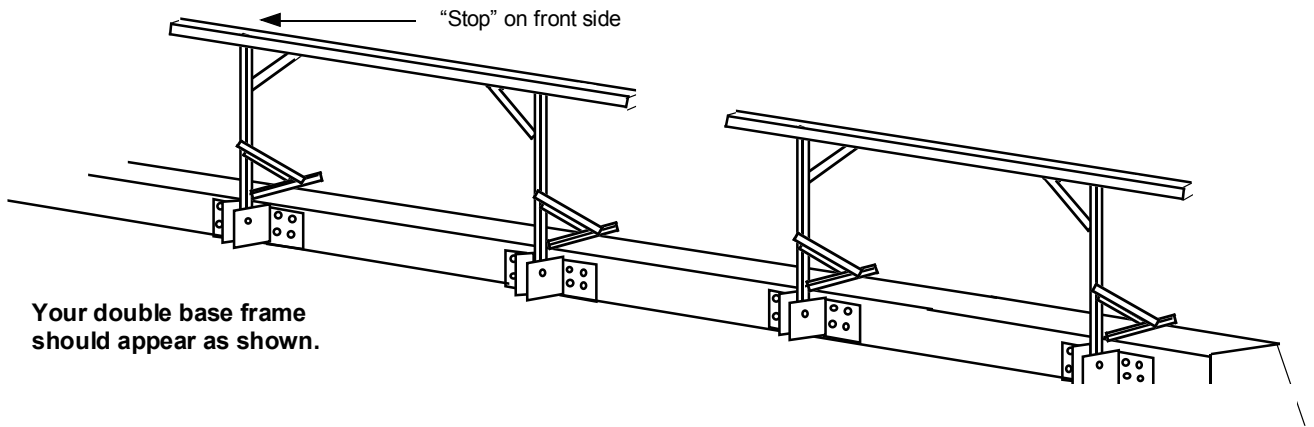
6. ATTACH RIGHT LEG CHANNEL and BRACES

Secure **right Leg** channel and braces in the same fashion as the left Leg.

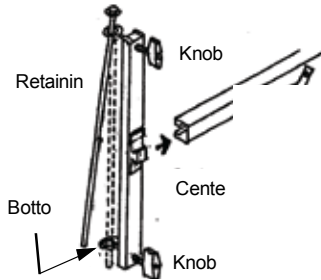


7. RIGHT BASE FRAME

Screw another **Leg** to the wall, exactly 7'6" to the *right* of the *right* leg from FIG 4. (15 ft Models, space at 6'6") Be sure the leg is plumb. **Repeat FIGS 2-4 to attach the remaining leg and Strongback to this leg.** This will create the *right* portion of the base frame.



Your double base frame should appear as shown.

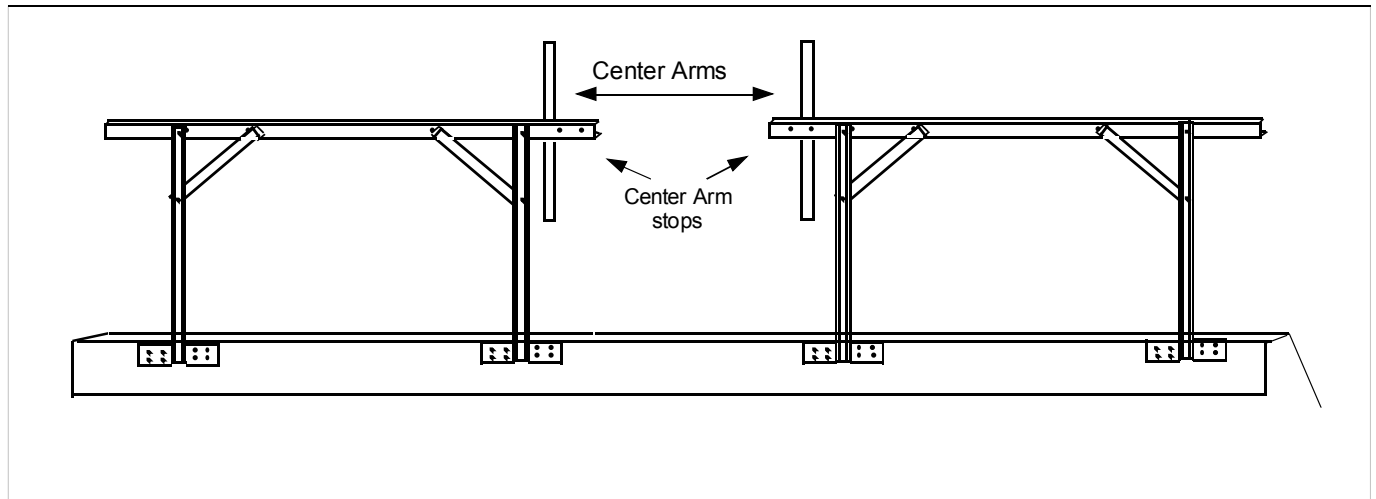


8. ADD CENTER ARMS

Slide a (yellow sticker) **Center arm** onto each **Strongback** as shown. For security, fasten the **Center Arm Stops** as shown in **FIG 8A**.



FIG 8A—Place **Center Stops** in 1st hole on each base frame as shown, using bolt, wing nut and plastic sleeve. (View is from front of frame).



DO NOT DISPLAY A BANNER ON THIS FRAME IN WINDS ABOVE 45 MPH !!

QUESTIONS? PROBLEMS ?
CALL VOXPOP CUSTOMER SERVICE TOLL FREE AT :
1-800-3-VOXPOP (386-9767)

TO INSTALL A BANNER ON YOUR FRAME, SEE THE ATTACHED SHEET,

“INSTALLING THE BANNER: “
SAVE THIS SHEET FOR FUTURE USE!

If this frame is installed by an installer, please give this sheet to the location manager.