

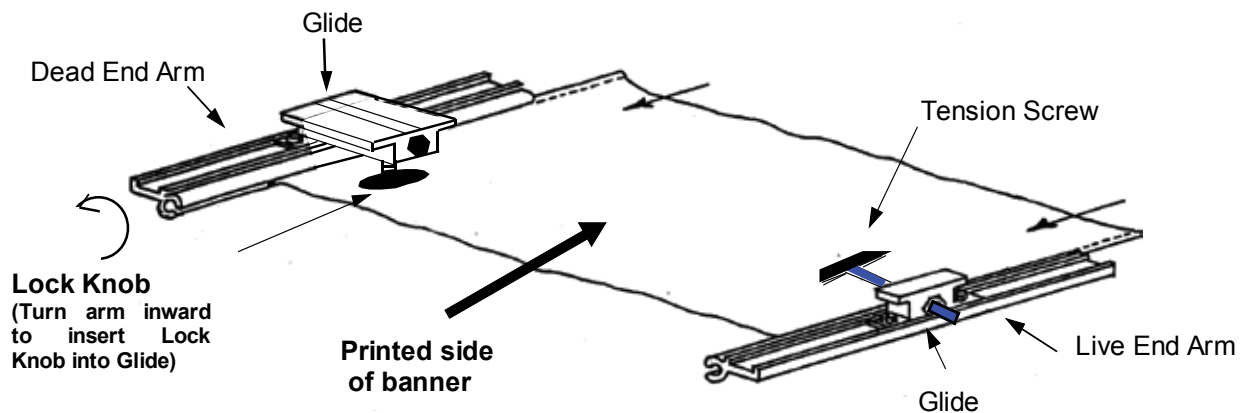
INSTALLING THE BANNER : HANGTIGHT BANNER FRAME TONGUE & GROOVE STYLE

Mfd by: Voxpop Marketing Systems

IMPORTANT !
INSTALLER: PLEASE
GIVE THIS SHEET TO
LOCATION MANAGER

Ins-HT-T&G-BNR
Rev 9/2002

NOTE: Tongue & Groove Style frames require a 1/4" plastic dowel inserted into the left and right hems of your banner. If these dowels are not already sewn in to your banner, remove the dowels located in the "groove" in each arm and insert them into your banner as shown.

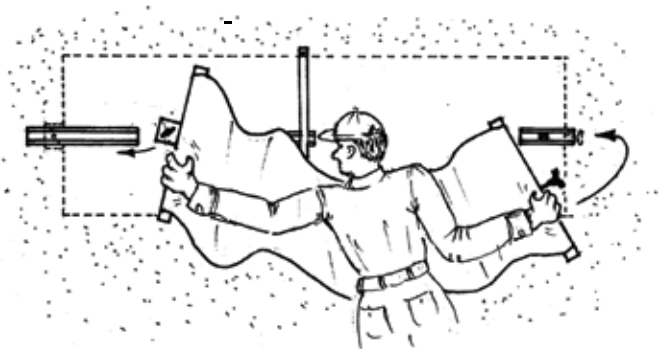


Lay the banner PRINTED SIDE UP as shown. Slide the "tongue" ends of the banner into the "grooves" in the arms exactly as shown. The **Glide** on each arm should be on the upward side as shown. Slide the **Dead End Arm** (green sticker) on the **left** edge of the banner, and slide the **Live End Arm** (red sticker) on the right edge.

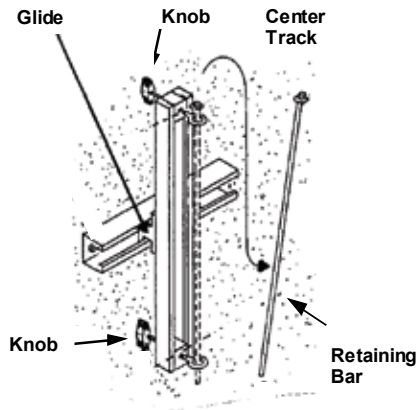
Place a dab of grease onto the tip of the **Tension Screw**, and insert it into the threaded glide in the **Live End Arm** exactly as shown. Place a dab of grease on the tip of the **Lock Knob**, and thread it into the **Glide** on the **Dead End Arm** from the side shown (you may want to turn the arm inward to expose the other side of the Glide.)

The figure at the right shows an overview of how the banner, with the arms attached, is placed on the tracks (detail next page).

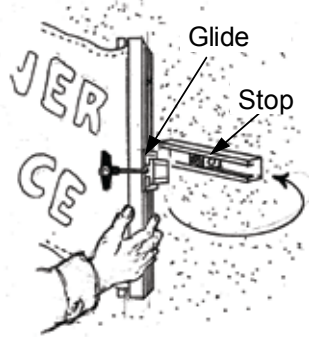
The arms must be folded back so that the **Glide** on each can be inserted into the tracks. The Live End must be inserted first, from the far right. *The banner will conceal the arms. If it does not, review Step 2 and try again.*



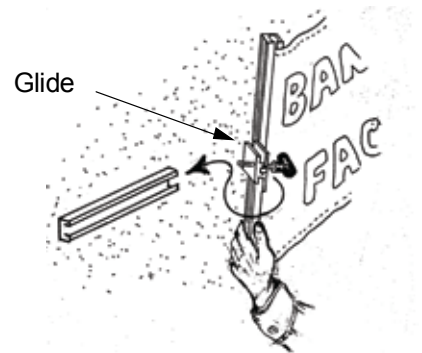
Continued



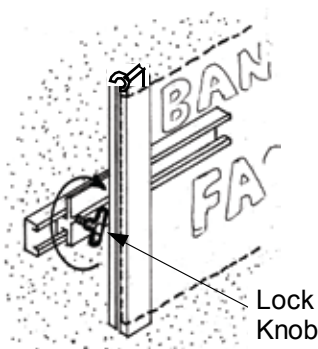
If your frame is a MEDIUM or LARGE model, slide the **Center Arm(s)** (yellow sticker) onto the **Center Track(s)** as shown. Insert the **Glide** on the back of the Arm(s) into the channel on the bracket(s). Loosen both **Knobs** on the back of each arm, and pull the **Retaining Bar** up and all the way out of the **eyelets**. Set the **Retaining Bar** aside for the time being.



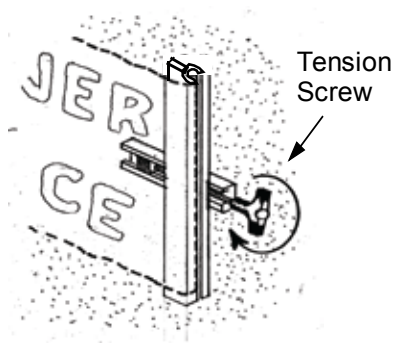
Begin with the (right) **Live End Arm**. Turn the arm back so that the **Glide** inserts into the channel on the right side of the track. Slide it in until the tip of the **Tension Screw** hits the white plastic **Stop**.



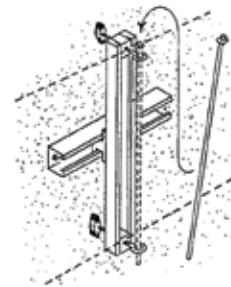
Turn the (left) **Dead End Arm** back so that its **Glide** can insert into the long track. Insert it into the track at the right (inside) opening.



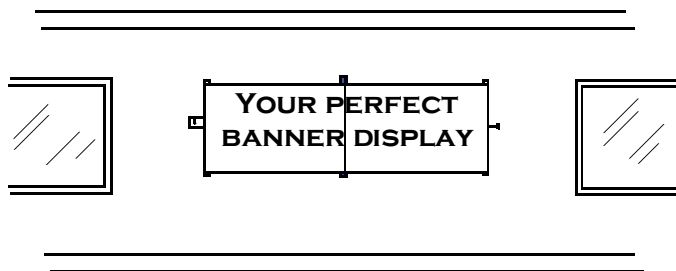
Slide the (left) **Dead End Arm** to the left until the banner is fairly taut. Then, turn the **Lock Knob** clockwise, locking the arm into position.



Move over to the (right) **Live End Arm**. Turn the **Tension screw** clockwise until the banner becomes nice and taut.



If your frame has a **Center Arm** or two, drop the **Retaining Bar(s)** through both **Eyelets** in each arm, on the **OUTSIDE** of the banner material. Then tighten both **Knobs** on the back of the **Center Arm(s)**. The bar(s) should press the banner against the arm(s).



Finished Display
The banner should conceal the arms.

Manufactured in the USA by
VOXPOP
MARKETING SYSTEMS

TO REMOVE BANNER :

1. Loosen knobs on Center Arms ("Medium " and "Large" Models, and pull the Retaining Bar(s) out of eyelets at bottom.
2. Loosen Lock Knob on Dead End Track, slide inward.
3. Slide Dead End Arm out of Track.
4. Slide Live End Arm out of Track.
5. Remove both End Arms from banner.
6. Remove Center Arms from frame.
Secure Arms in a safe place.

Mfd by: **Voxpop Marketing Systems**
Berlin, MD 21811
1-800-386-9767
Customer Service
Copyright 2009 Voxpop, Inc.