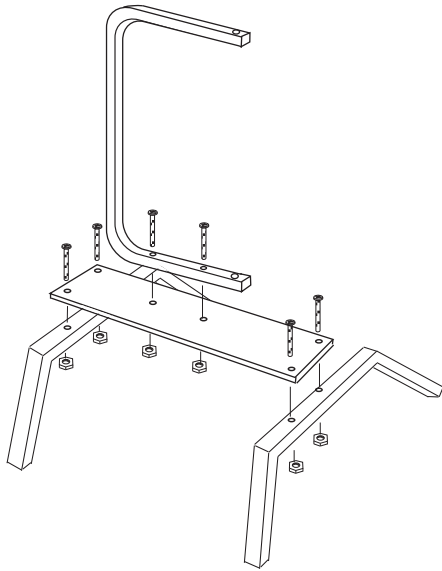


Ground Swiveler System Installation Instructions

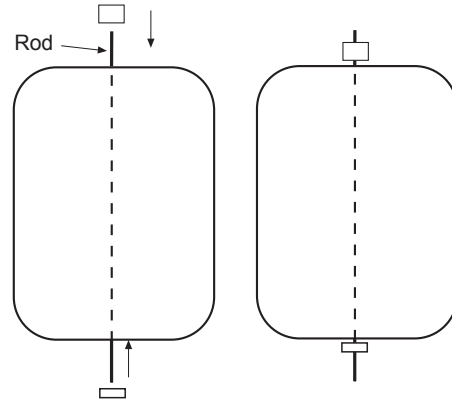


- A.** Assemble the components of the system as shown in the exploded sketch opposite. Make sure the lock nuts are tightened securely.

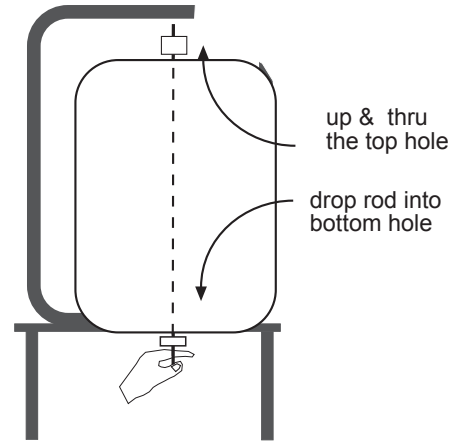
- B** Insert the 1/4" Rod through the center flute in the Coroplast panel.

Slide the LARGER plastic collar on the Top of the Rod.

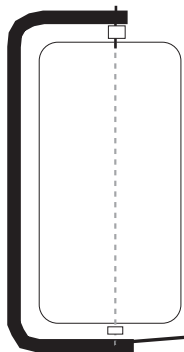
Slide the SMALLER collar on the bottom of the Rod. You will need to hold it from



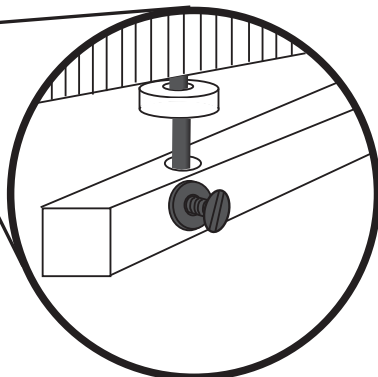
- C** While holding the bottom collar on the rod, lift the panel and insert the top of the rod into the thru-hole in the Top Arm. Push it as high as it will go. The bottom of the rod will just clear the Bottom Arm. Maneuver the bottom of the rod until it drops into the hole in the Bottom Arm.



D



★
To lock the ROD & panel in place it is very important to make sure the Rod is all the way down in the hole. and then Tighten the Thumb Screw VERY tight.



Questions? Problems?
Call Voxpop for assistance
1-800-386-9767
or E-mail
service@voxpathms.com

Manufactured in the USA by

VOXPOP

MARKETING SYSTEMS

10746 Worcester Highway P.O. Box 200
Berlin, MD 21811 800-386-9767