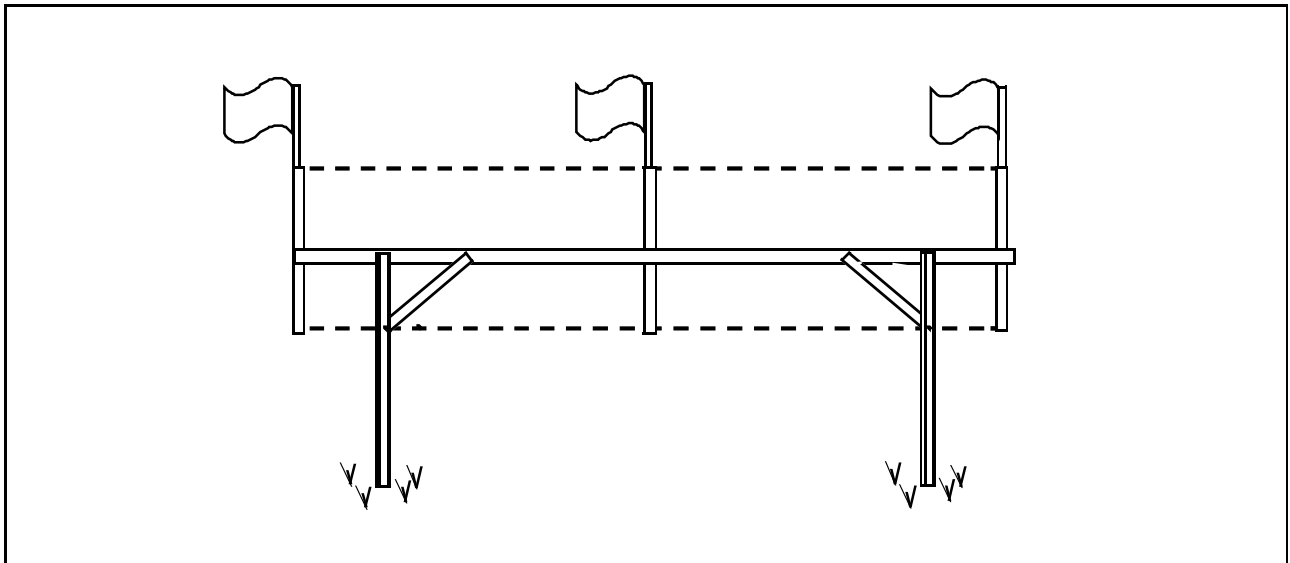


Ground Mount Banner Frame

3x16 thru 4x20 Models

Installation Instructions

Size 3 x 16 3 x 18 3 x 20 3 x 24
Enclosed: 4 x 16 4 x 18 4 x 20 4 x 24



Manufactured in the USA by

VOXPOP
MARKETING SYSTEMS

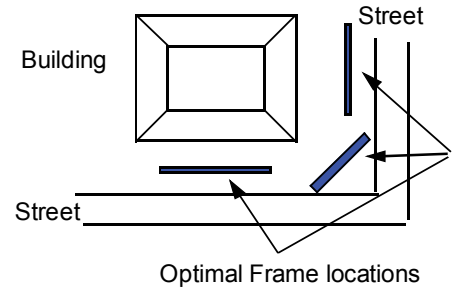
10746 Worcester Highway P.O. Box 200
Berlin, MD 21811 800-386-9767

STEP ONE - PREPARATION & LAYOUT

Congratulations ! You have purchased Voxpop's popular banner mounting framework. When installed and used properly, this frame will perform for years - professionally displaying your banners like rigid signs. Installation should be performed by a knowledgeable mechanic or maintenance person. Be sure to set all bolts and fittings securely and completely.

- TOOLS NEEDED :
- Level
 - Post Hole Digger
 - (2) 17/64 Ratchets
 - Measuring tape
 - Adjustable crescent wrench

To start, select a location for your display that will maximize its visual effectiveness. You will need a level piece of ground long enough for your frame size. Be sure the area is free of any underground utilities before digging! The diagram below shows possible installation scenarios. Install the frame for the best exposure from traffic moving past your location.



STEP TWO - ASSEMBLING THE BASE FRAME

GENERAL NOTES:

All **Legs**, **Corner braces** and **Strongbacks** fasten together as shown in **FIG A** whenever instructions call for it. (Fig shows left leg).

When installed, the open channel side of the **Legs** face inward. The open channel of the **Strongback** sections face outward (to the street).

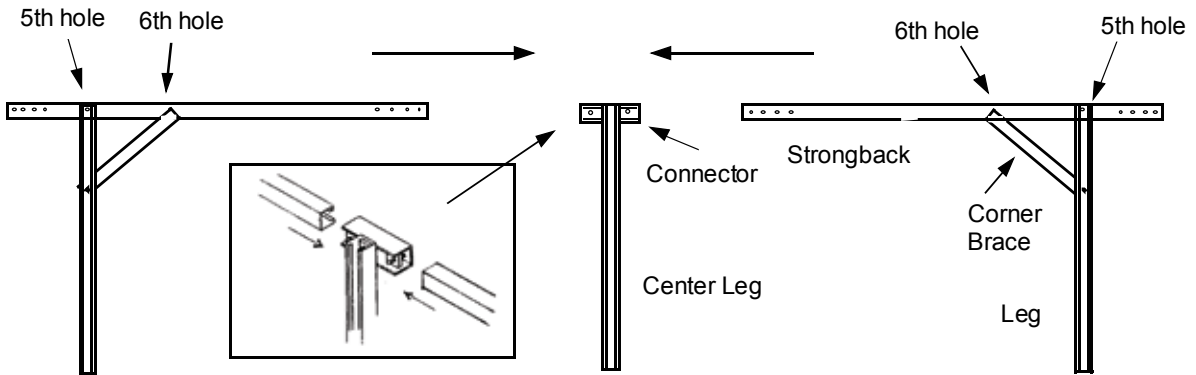
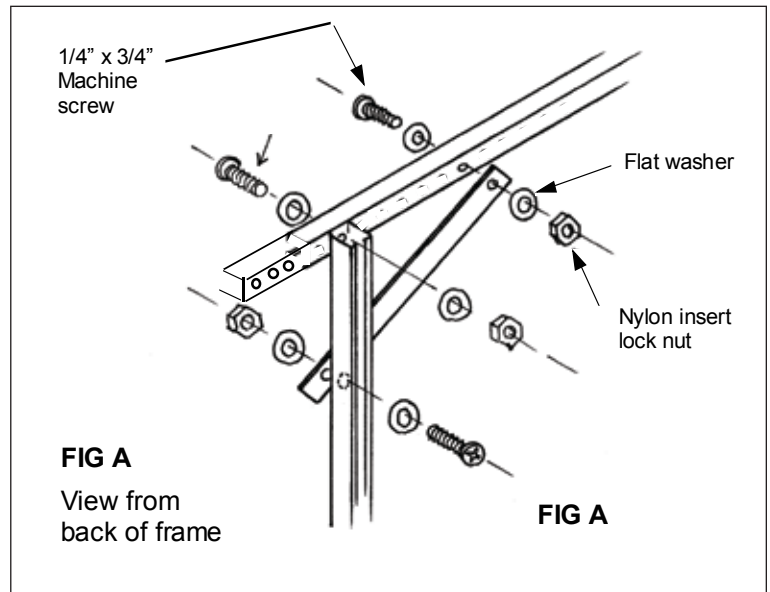


FIG 2 Assemble a **Leg** and **Corner Brace** to the (2) sections of **Strongback** as shown. Fasten legs at the 5th hole inward on each end, and the corner braces at the 6th hole inward. Tighten all fittings securely. Refer to FIG A. Then, loosen all the bolts in the **Connector** on the **Center Leg**, and turn it up, as shown. Insert the inward ends of the **Strongback & Leg assemblies** into the **Connector**, as shown. Be sure both the square nuts and round washers on the Connector insert into the respective channels on the **Strongbacks**. Re-tighten all three bolts very securely.

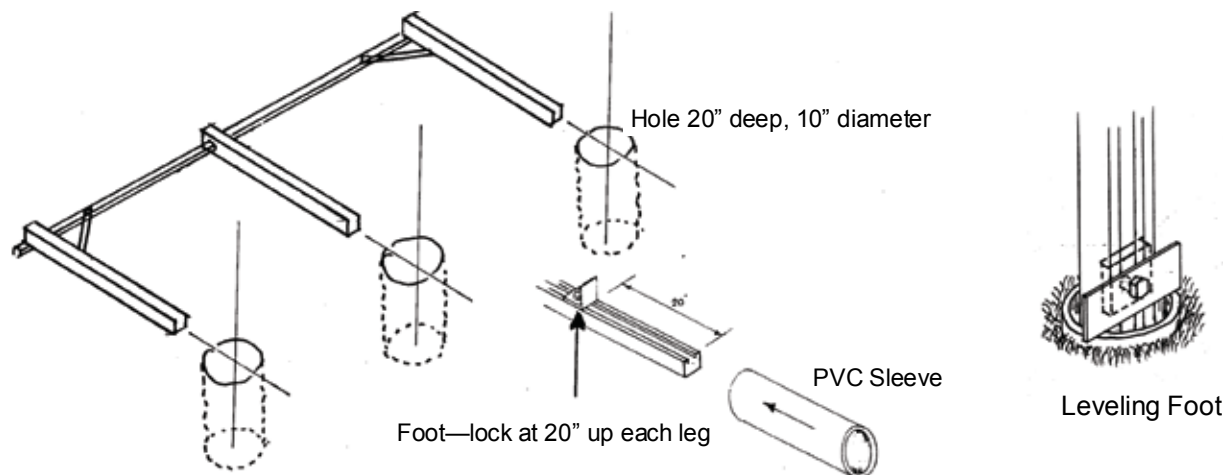
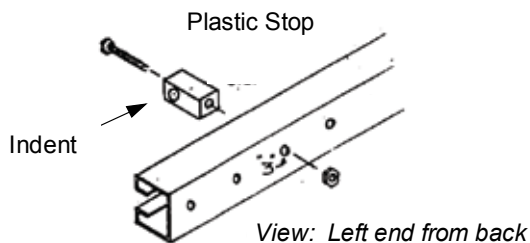


FIG 3 Position the base frame where you want your display to go. The channel side of the **Strongback** will be the front of the display. Lay the base frame down, and dig a hole at the bottom of each **Leg**. The holes should be approximately 20" deep and 10" wide. Place a PVC **Ground sleeve** into each hole. Loosen and place an adjustable **Foot** onto each leg as shown, and lock it into position about 20" from the bottom of each **Leg**. Tilt the base frame up and lower the **Legs** into the **sleeves**. Level the display by adjusting the **Feet**. When you have maneuvered the frame so it is level and straight. **NOTE: If you purchased the "Holetite" compound to secure the PVC, refer to those instructions now.** If you are not using the Holetite compound, backfill loose dirt into each hole. Compact the dirt as firmly as you can around each **Leg** (important).

16 ft Models Only

Fasten the white plastic **Stop** to the **Strongback** at the 3rd hole inward on the **LEFT** side - when working from the **BACK** of the frame, as shown. Be sure the indented side of the **Stop** faces to the outside. Insert the 2.5" bolt through the hole in the **Stop**, and tighten with the hex nut on the back of the **Strongback** as shown.

The Stop on 18 ft & larger models are pre-attached to the Extension Tracks that come with those models (see below).



STEP 3 - ATTACHING THE CENTER ARM(S) & EXTENSION TRACKS

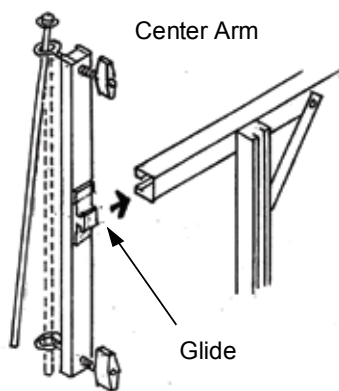


FIG 4 Slide the (yellow sticker) **Center arm(s)** onto the **Strongback**. Position in the middle. **LARGE models** : Slide one arm onto each section, space

View from **FRONT**

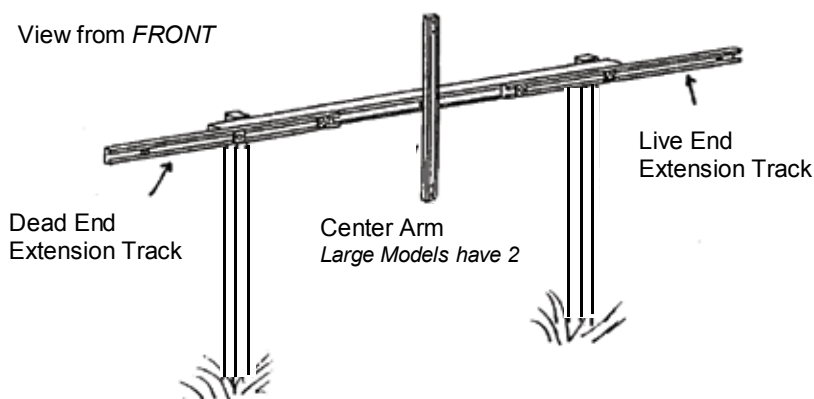


FIG 5

Slide the **Live end Extension track** (red sticker) onto the *left* end of the

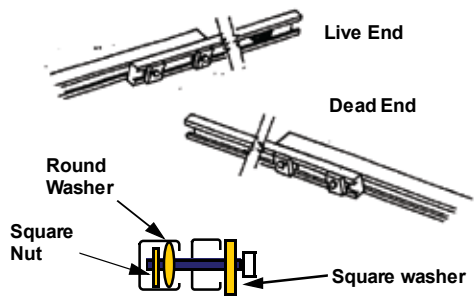


FIG 6 Be sure to insert both the **thick square washers** and **round washers** on Extension Tracks into the channel of the **Strongback** (see inset). The channel side of the **Extension Tracks** should face the street. Tighten the bolts on the outside **square washers** securely.

View from **REAR**

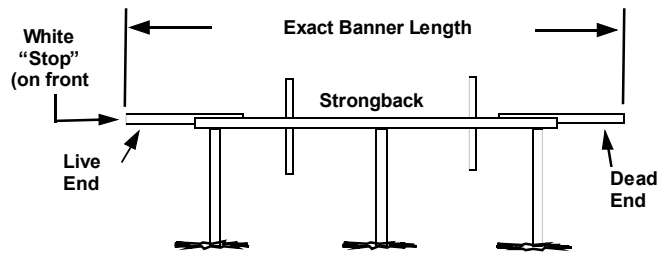


FIG 7 (View from rear) When you are ready to place your banner on the frame, measure it's exact length. Then, adjust the **Extension Tracks** so that they measure, from end to end, that same length.

To attach the banner, see separate instructions "Installing the Banner".

INSTALLER: Please leave the copy of "Installing the Banner" with the facility manager for future use.

GROUND MOUNT BANNER FRAME SAFETY NOTICE :

Your Ground Mount Banner Frame is the strongest, safest freestanding banner mounting frame available. Even so, the display creates a wind resistant "sail", exposing both banner and hardware to potential danger in strong winds. Follow the safety tips below to ensure safe, effective displays.

Remove the banner from the frame when winds exceed 40 MPH.

Banners can be removed from this frame in several minutes. Be sure facility staff is trained on banner removal.

Remove all the "Arms" from the base frame whenever there is no banner on the frame. Tighten the "Extension tracks" to prevent them from sliding off the base frame.

Never tie a banner to the frame. Damage can result if the banner is not installed and tensioned properly.

QUESTIONS? COMMENTS? CALL VOXPOP
 CUSTOMER SERVICE TOLL FREE
1-800-3-VOXPOP

Copyright 2009, Voxpop Marketing Systems Patents Pending
 P.O. Box 200 Berlin, MD 21811 / FAX (410) 641-1092