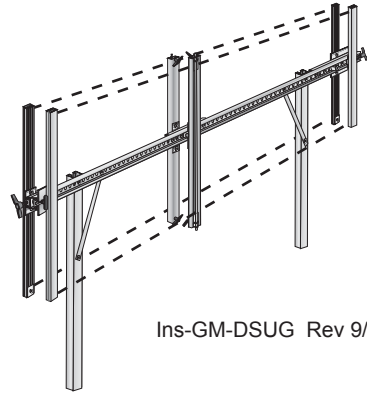


DOUBLE SIDED GROUND MOUNT FRAME

Installation Instructions

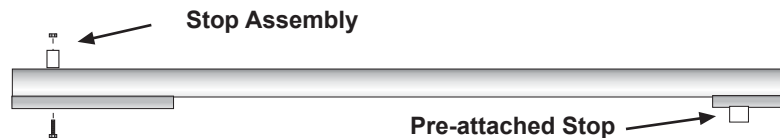
Please read these instructions first.
Use in conjunction with standard
Ground Mount Installation Instructions attached.



Ins-GM-DSUG Rev 9/2002

Your Double-sided Ground Mount Frame ships with a modified “Strongback” to allow the unit to display 2 banners back-to back. Please follow the 4-page Ground Mount Banner Frame Installation Instructions attached, substituting the Strongback depicted in those instructions with the modified part shown below.

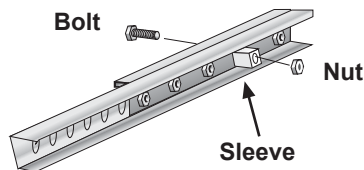
6 ft & 8 ft Models



The Strongback comes equipped with two shallow tracks pre-attached on the back side. You will need to attach the “Stop” for the deep-channel side at the 3rd hole inward as shown in FIG A. Thread the bolt through the white plastic sleeve and tighten with the nut as shown.

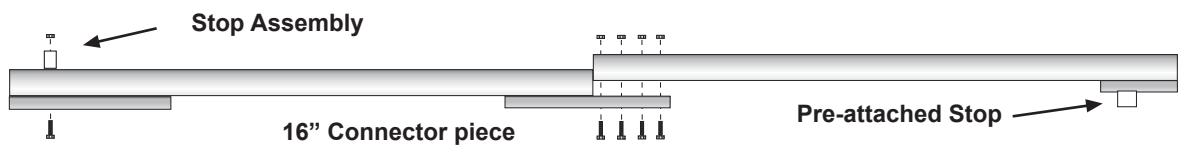
FIG A

“Stop”



Attach at 3rd hole inward

10 ft thru 14 ft Models



The Strongback comes in two sections. Assemble as shown. Fasten the two sections of Strongback together with the 16” connector piece (refer to page 2 of the Ground Mount Installation Instructions). Attach the “Stop” for the deep channel side at the 3rd hole inward as shown in FIG A above.

From this point, resume assembly of your Ground Mount Base frame as per the standard instructions.

When installing banners on this frame, follow the “Installing the Banner” instructions, also attached. Repeat these instructions for both sides of the frame.

VOXPOP
MARKETING SYSTEMS

10746 Worcester Highway
Berlin, MD 21811
FAX: 410-641-1092 Int'l 410-641-1090

Copyright 2009 Voxpop, Inc.

Questions? Problems? Call Voxpop for assistance.

1-800-386-9767

or e-mail service@voxpathms.com