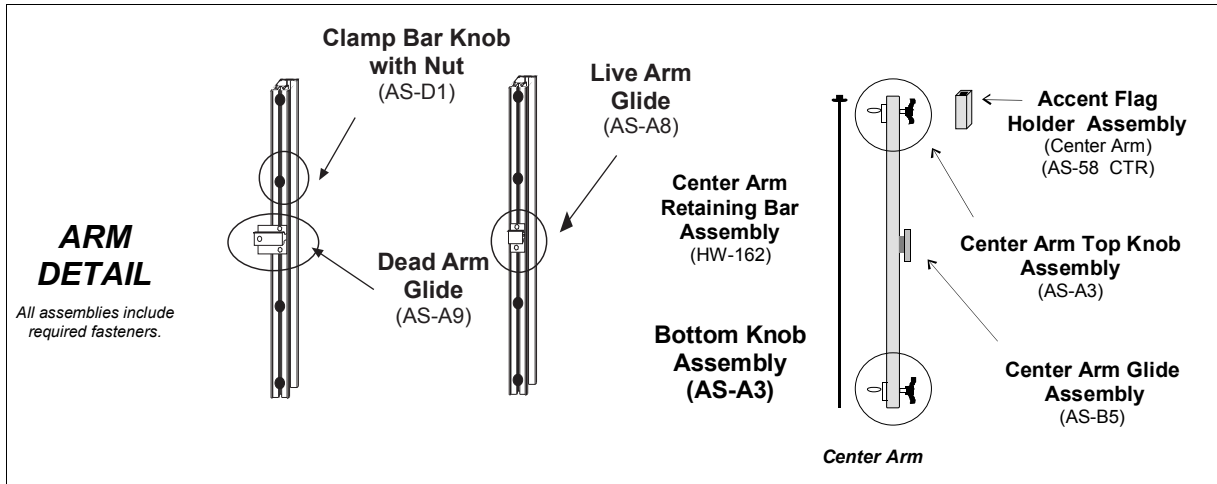
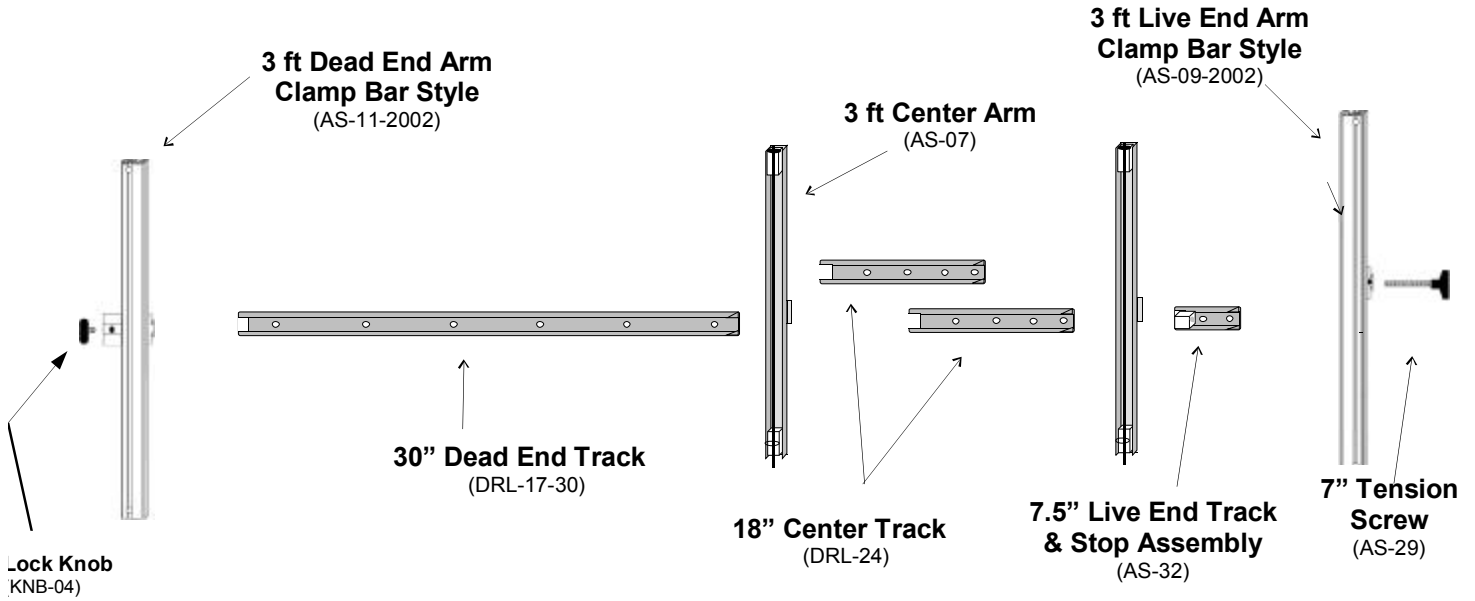


# FLAT WALL HANGTIGHT BANNER FRAME

## 3 x 12-20 FT MODEL - *Clamp Bar Style*

### Replacement Parts Guide



To Order call Toll-Free **1-800-386-9767**

Copyright 2006 Voxpop, Inc.  
Patents Pending  
Rev 02/06  
Exp-HNG3X12-20

#### Replacement Mounting Screws

For fastening tracks to wood surfaces (BAG-07)

For fasteners for other surfaces, call Voxpop Customer Service for recommendations.