

Exterior Merchandising Solutions for

DUNKIN' DONUTS®



2020 Product & Price Guide

VOXPOP
MARKETING SYSTEMS

1-800-386-9767

www.voxpopms.com

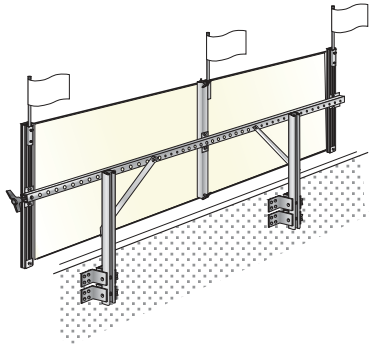
TopLine Banner Frame

Rooftop Banner Display Frame

There is no more effective way to display your exterior banners than above the roof.

And there is no better way to do that than with Voxpop's TopLine Banner Frame for Dunkin' Donuts,

It creates big bold impact and pulls customers off the street.

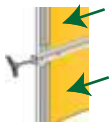


Displays your 3x12 banners above the roof

Since we introduced our TopLine Frame to Dunkin' Donuts in the 1990's, many restaurants have benefited from the visibility and effective merchandising the frame creates.

Exterior banners are your most effective tool for broad merchandising impact, noticeable from blocks away. The Dunkin' TopLine Frame maximizes this valuable tool.

What makes the TopLine Frame so good?



The sturdy steel base frame holds special "arms" that grip your banner. Then, a mechanical tension screw winds the banner drum-tight. The result is a perfect display that looks like a professional billboard!

Mechanical tensioning keeps banners tight!

\$335 ea

Optional accent flag kit - \$30

3x12 Model fits standard Dunkin' Donuts banners

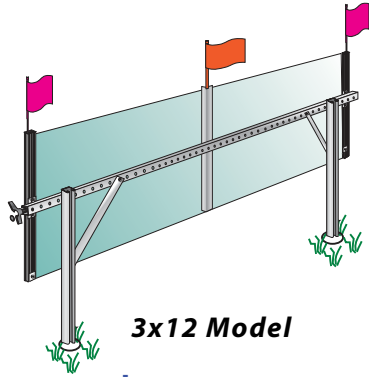


- ✓ Designed for lifetime use - a one time investment for years and years of functional performance
- ✓ Banner change-outs are simple, fast and done from the safety of the flat roof - no tools needed!
- ✓ Maintains drum-tight banners that are 100% readable the entire promotion

Ground Mount Frame

Ground or Lawn Banner Display Frame

Our Ground Mount Banner Frame creates a mini-billboard located for the best possible drive-by exposure for your outdoor banners. The framework ensures 100% readable and effective displays, promotion after promotion!



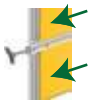
3x12 Model

\$290 ea

Optional accent flag kit - \$30



Displays your 3x12 banners on any lawn or ground surface



Mechanical tensioning keeps banners taut the entire promotion

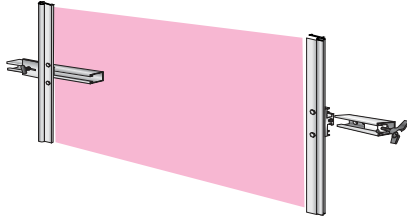
Whether you want big impact with a 3x12 banner attracting traffic from the street, or need a merchandising boost in the drive-thru, a Ground Mount Frame is the answer!

The heavy duty steel and aluminum frame forever replaces makeshift stands and poles, while turning your banners into professional looking, 100% readable signs.

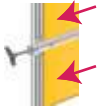
- ✓ Designed for lifetime use - extremely durable for years of performance
- ✓ Position facing the street or in the Drive Thru
- ✓ Easy banner change-outs and a crisp, sign-like professional appearance

HangTight Frame

Wall or Fascia Banner Display Frame



\$129



Mechanical tensioning keeps banners taut the entire promotion



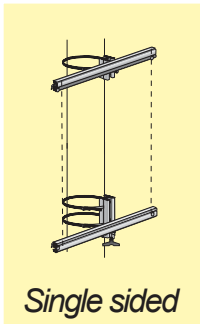
A sign? Nope! A banner tensioned drum tight.

Voxpop's HangTight banner mounting frames create perfect, sign-like displays. Simple to install - just screw in some small tracks to the wall surface. Your display looks great and will withstand all but the most severe weather. Fits your Dunkin' 3x12 banners.

- ✓ Maintains drum-tight banners that are 100% readable the entire promotion. No droops, sags or fly-aways
- ✓ The hardware is 99% concealed by the banner. All your customers see is your message!
- ✓ Designed for lifetime use - a one-time investment for years and years of functional performance

Pole Mount Frame

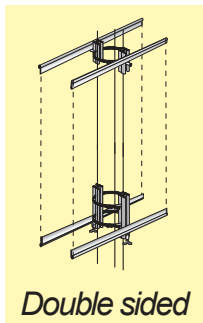
Pole Banner Display Frame



Single sided

\$95.25

Single sided frame



Double sided

\$166.90

Double sided frame

All pole banners need hardware, and Voxpop's sets the industry standard. One affordable frame will provide years of perfectly tensioned, sign-like displays. Choose from a single or double-sided model to fit Dunkin' Donuts 3 ft wide pole banners.



Pulls your pole banners drum tight! The banner conceals the hardware.

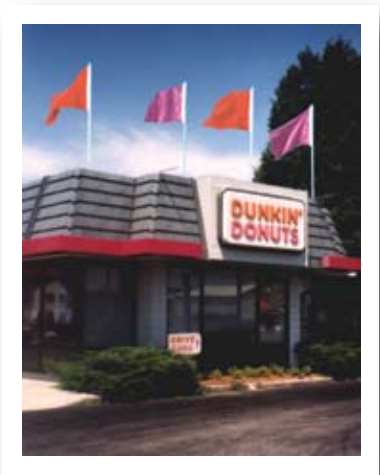
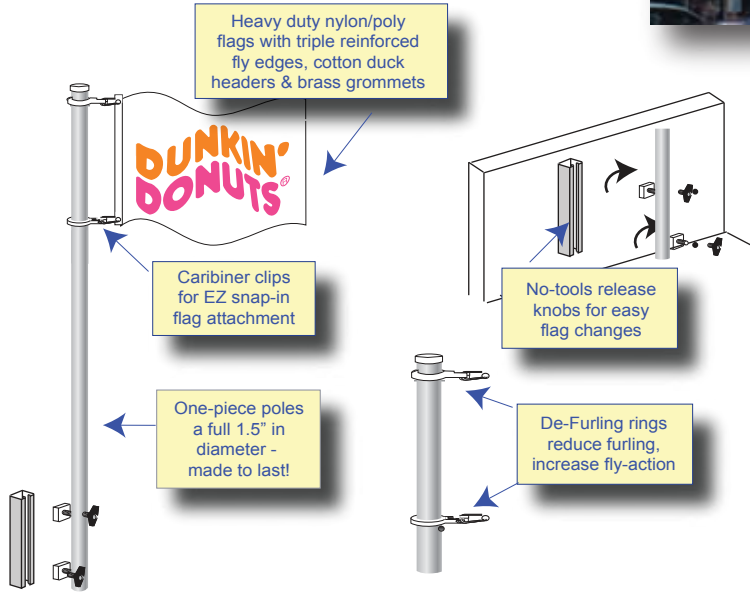
- ✓ Available single or double sided
- ✓ Creates a professional, consistent image
- ✓ Simple to install and change media
- ✓ All models include mounting hose clamps

Flags and Flagpoles

Rooftop or Lawn Flag Displays

We're the country's leading source for merchandising flag displays for a reason. Our flags are the highest quality available, made from the most advanced fabrics and sewn to provide the longest usable life. Our roof and ground display poles are the best available, built for durability, superior fly-action and ease of use.

Join the many Dunkin' operators who use our flags and poles to enhance their stores' visibility.

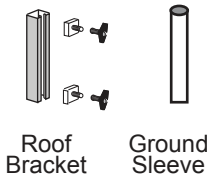


POLES & BRACKETS

Choose from 7 ft or 8 ft pole
Same low price

Pole & Roof bracket
\$47.50 complete

Pole & Ground sleeve
\$47.00 complete



3x5 Logo
\$36.00



3x5 Solid or Striped
\$24.00



3x5 US
\$26.95

FLAGS

Large Flags

For Outdoor Flagpoles

NEW LOWER US FLAG PRICES!

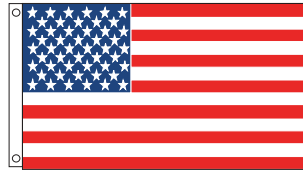
Voxpop has large logo, state and US flags for your outdoor poles. Our flags are sewn and printed to the highest standards for long life. And our prices are the lowest you'll find anywhere!



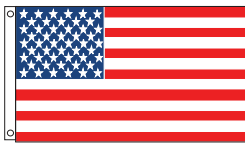
4x6 US **\$43.00**



5x8 US **\$54.00**



8x12 US **\$146.00**



6x10 US **\$87.00**

All US flags are applique sewn stars and bars - not screenprinted!

We have large US flags for large in-ground flag poles. Excellent quality and excellent prices. Call for quotes!



State Flags available in a variety of sizes. Call for prices. All states available.

Pennants

Festive Outdoor Strings

Pennant and fringe strings add a festive flair that undeniably attracts attention to your stores. Choose from economy strings for short-lived promos like openings or events, or long lasting cloth and metallic strings for months of performance.



Poly Pennant - 105 ft
Our most economical string
12x18 - \$13.95



Plasticloth Pennant - 105 ft
Highest quality - lasts for months!
12x18 - \$45.00



Metallic Fringe - 100ft
12x18 - \$48.00



US Flags - 100ft Poly Economy
12x18 - \$29.00